

Service Manual
International
Vista 2
Stacking
Platform

Public Use
Wheelchair Lifts

Series AA



www.braunability.com/international ISO 9001:2008

631 West 11th Street, Winamac, IN 46996, USA

Phone: +1 574 946 6153

Fax: +1 574 946 4670



36544

July

2011

Original Instructions



Congratulations

We at The Braun Corporation wish to express our fullest appreciation on your new purchase. With you in mind, our skilled craftsmen have designed and assembled the finest lift available.

This manual provides maintenance and service-related material. Braun Vista 2 Series™ lifts are built for dependability and will provide years of pleasure and independence as long as the lift is properly maintained and operated by an instructed person.

Sincerely,
THE BRAUN CORPORATION



Ralph W. Braun
Chief Executive Officer

Warranty

Consult your local Braun dealer regarding warranty policy.

www.braunlift.com/international

The Braun Corporation 1-800-THE LIFT® BRAUNLIFT.COM®	
MODEL NUMBER XXXXXXXXXX	→ Model No. _____
SERIAL NUMBER XX-XXXXX	→ Serial No. _____
MFG DATE XX/XX/XXXX	→ Date of Manufacture _____
CE	

Sample Serial No./Series No. Identification Tag

Model No. Serial No.

OWNER'S WARRANTY REGISTRATION	
XXXXXXXXXXXX XX-XXXXX	
PURCHASED FROM _____	
OWNER _____	
NAME _____	DATE INSTALLED _____
ADDRESS _____	
CITY _____	
TELEPHONE _____	STATE _____ ZIP _____
TO VALIDATE WARRANTY REGISTRATION CARDS MUST BE RETURNED TO THE BRAUN CORPORATION.	

Sample Warranty/Registration Card

Contents

Service Safety Precautions	2-3
Lift Specifications	4
Center of Gravity	5
Lift Terminology	6
Switch and Sensor Locations	7
Platform Fold Pressure Adjustment	8
Platform Angle Adjustment	9
Tower Microswitch Adjustment	10-11
Emergency Stop (E-Stop) Operating Instructions	12
Static and Dynamic Tests	13-14
Maintenance and Lubrication	16-21
12V Lift Electrical Schematic	22
24V Lift Electrical Schematic	23
Hydraulic Schematic	24
12V Hydraulics Parts List	25
12V Hydraulics Diagram	26
24V Hydraulics Parts List	27
24V Hydraulics Diagram	28
12 Volt (Except VL995) Pump Module Parts List	29
12 Volt (Except VL995) Pump Module Diagram	30
12 Volt (VL995) Pump Module Parts List	31
12 Volt (VL995) Pump Module Diagram	32
24 Volt Pump Module Parts List	33
24 Volt Pump Module Diagram	34
Base Plate Assembly	35-38
Top Parallel Arm Assembly	39-41
Bottom Parallel Arm Assembly	42-44
Hydraulic Cylinder Assembly	45-46
Vertical Arm Assembly	48-50
Arm Cover Assembly	51-52
Handrail Assembly	53-54
Platform Assembly	55-58
Declaration of Conformity - Machinery	59-60
Declaration of Noise Emission	61
Declaration of Conformity - EMC	62

Document Cross Reference

Owner Manual #36543

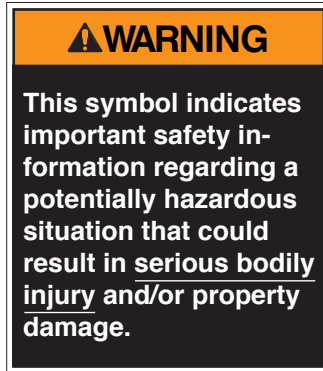
Service Safety Precautions

Safety Symbols

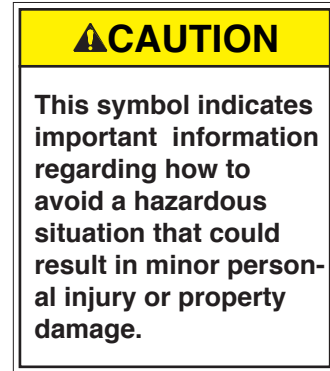
SAFETY FIRST! Know That....

A The information contained in this manual and supplements (if included), is provided for your use and safety. Familiarity with proper installation, operation, maintenance and service procedures is necessary to ensure safe, troublefree lift operation. Safety precautions are provided to identify potentially hazardous situations and provide instruction on how to avoid them.


B





C





D **NOTICE** Additional information provided to help clarify or detail a specific subject.


E  This symbol indicates that there are dangerous high voltages present inside the enclosure of this product. To reduce the risk of fire or electric shock, do not attempt to open the enclosure or gain access to areas where you are not instructed to do so. Refer servicing to qualified service personnel only.

F  This symbol indicates that a condition where damage to the equipment resulting injury could occur if operational procedures are not followed. To reduce the risk of damage or injury, refer to accompanying documents, follow all steps or procedures as instructed.

G  This symbol indicates that a condition where injury or damage could occur if contact is made with the hot surface.

H  This symbol indicates an area to avoid bodily contact to prevent injury.

I  This symbol indicates the presence of high pressure hydraulic hoses. Use appropriate personal protective equipment when working on hydraulic system.

J  This symbol indicates the presence of a fire hazard. Avoid open flames or sparks when working with flammable materials to prevent injury or damage.

These symbols will appear throughout this manual as well as on the labels posted on your lift.
Recognize the seriousness of this information.

Service Safety Precautions

Service Safety Precautions

⚠ WARNING

If maintenance or repair procedures cannot be completed exactly as provided in this manual or if the instructions are not fully understood, contact The Braun Corporation immediately. Failure to do so may result in serious bodily injury and/or property damage.

- ⚠ WARNING** Read this manual, supplement(s) and operating instructions decals before performing operation or service procedures.
- ⚠ WARNING** Use appropriate personal protective equipment when servicing the lift.
- ⚠ WARNING** Check for obstructions such as gas lines, wires, exhaust, etc. before drilling or cutting on vehicle.
- ⚠ WARNING** Route all cables clear of exhaust system, other hot areas, moving parts, wet areas, etc.
- ⚠ WARNING** Risk of electrical shock or fire! Use extra care when making electrical connections. Connect and secure as outlined in Installation Instructions and Wiring Diagrams.

- ⚠ WARNING** Adjust platform angle and floor level positioning of bridge plate before operating lift with passenger.
- ⚠ WARNING** Maintenance and repairs must be performed only by authorized service personnel.
- ⚠ WARNING** Perform maintenance and lubrication procedures exactly as outlined in the Maintenance and Lubrication Schedule contained in this manual.
- ⚠ WARNING** Disconnect the power cable at the battery prior to servicing.
- ⚠ WARNING** Never modify (alter) a Braun Corporation lift.
- ⚠ WARNING** Replacement parts must be Braun authorized replacements.
- ⚠ WARNING** Never install screws or fasteners (other than factory equipped).
- ⚠ WARNING** Whenever replacing a hydraulic cylinder or seals, lower platform fully.
- ⚠ WARNING** Failure to follow these safety precautions may result in serious bodily injury and/or property damage.

Specifications



The lift must be installed, operated, and maintained as detailed in applicable manuals. Any use of equipment other than instructed in this manual is prohibited.

The 365kg (800 lb.) lift capacity Vista-2 series lifts have completed 15,600 cycles with a 365kg load and a static load test with a 1090kg (2400 lb.) load.

The 272kg (600 lb.) lift capacity Vista-2 series lifts have completed 15,600 cycles with a 365kg load and a static load test with a 816kg (1800 lb.) load.

Operating Temperature

This equipment will operate in its intended ambient at a minimum between +5°C and +40°C.

Relative Humidity

This equipment will operate correctly within an environment at 50% RH, at 40°C.

Altitude

This equipment will operate correctly up to 1000m above mean sea level.

Sound Pressure Level

The emission sound pressure level at the operator's position is expected not to exceed 70 db(A).

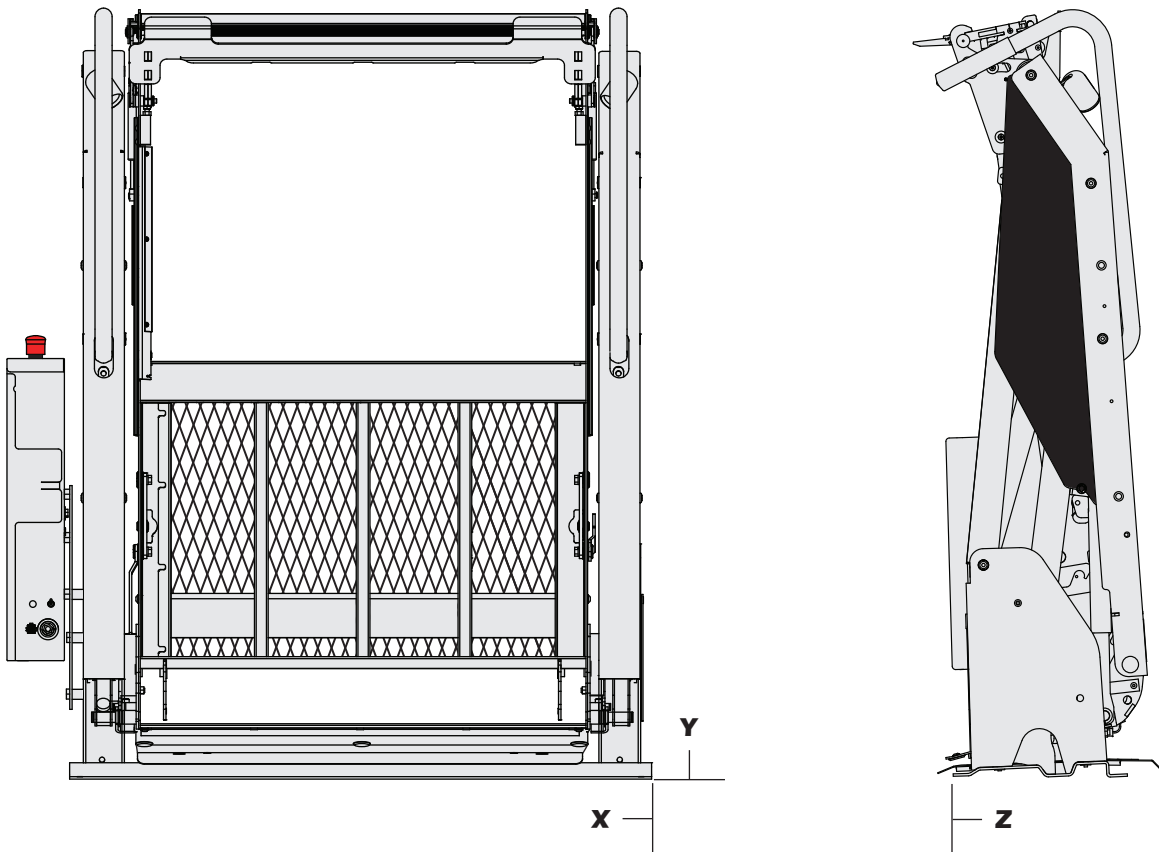
Transportation and Storage

This equipment will withstand, or has been protected against, transportation and storage temperatures of -25°C to +55°C, and for short periods of up to +70°C.

The lift has been packaged to prevent damage from the effects of normal humidity, vibration, and shock.

Lift Model	Maximum Load Capacity	Power Requirement	Lift Weight
VL917FIB3455RP-2	363kg (800lbs)	12 VDC	177kg (391lbs)
VL917IB3455RP-2	363kg (800lbs)	12 VDC	177kg (391lbs)
VL918IB3443RP-2	363kg (800lbs)	12 VDC	161kg (354lbs)
VL919FIBRP-2	363kg (800lbs)	12 VDC	174kg (384lbs)
VL919IBRP-2	363kg (800lbs)	12 VDC	174kg (384lbs)
VL927FIB3455RP-2	363kg (800lbs)	24 VDC	177kg (391lbs)
VL927IB3455RP-2	363kg (800lbs)	24 VDC	177kg (391lbs)
VL929FIBRP-2	363kg (800lbs)	24 VDC	174kg (384lbs)
VL929IBRP-2	363kg (800lbs)	24 VDC	174kg (384lbs)
VL995IB2740-2	272kg (600lbs)	12 VDC	136kg (300lbs)

Center of Gravity

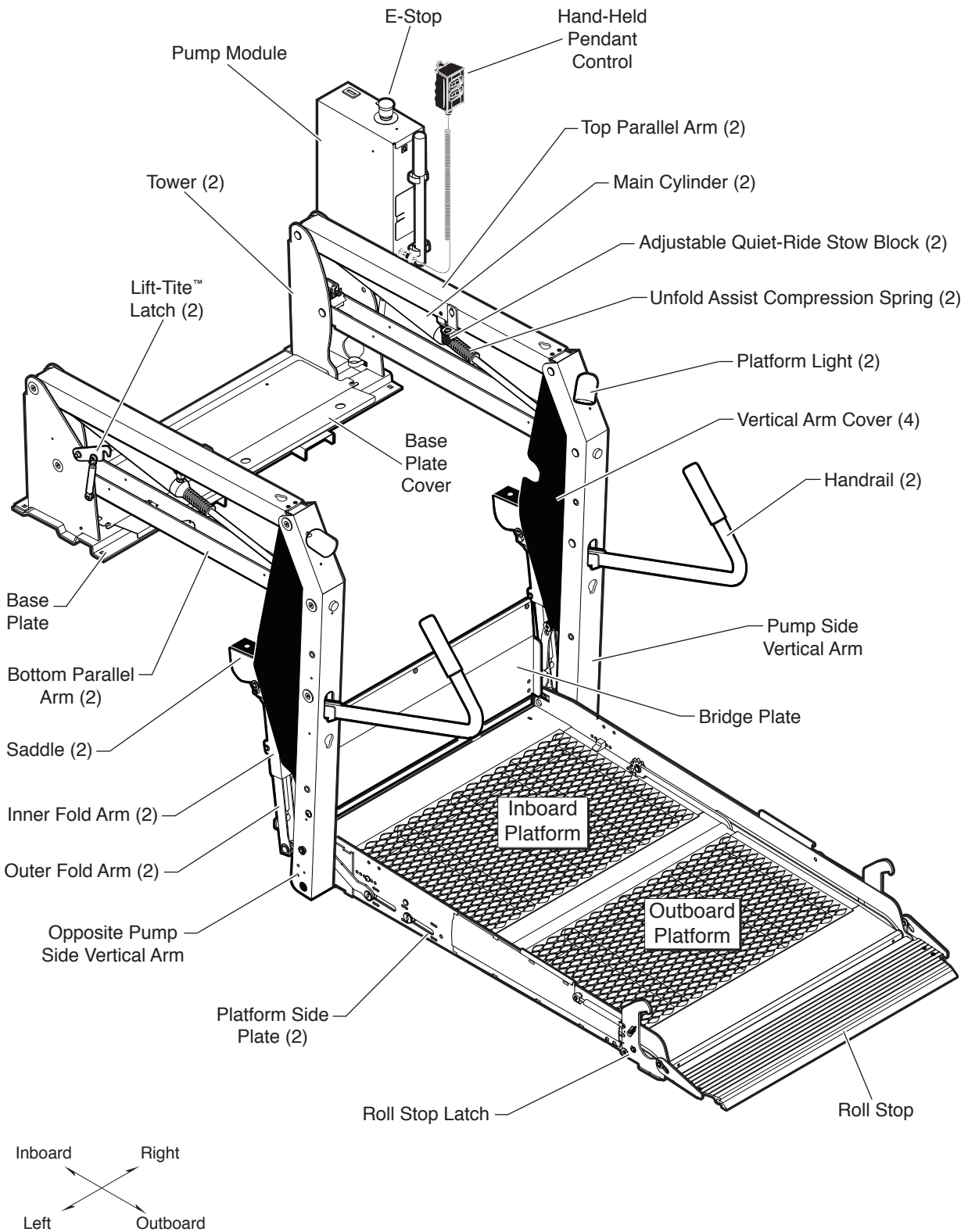


Center of Gravity is the intersection of X, Y, and Z.

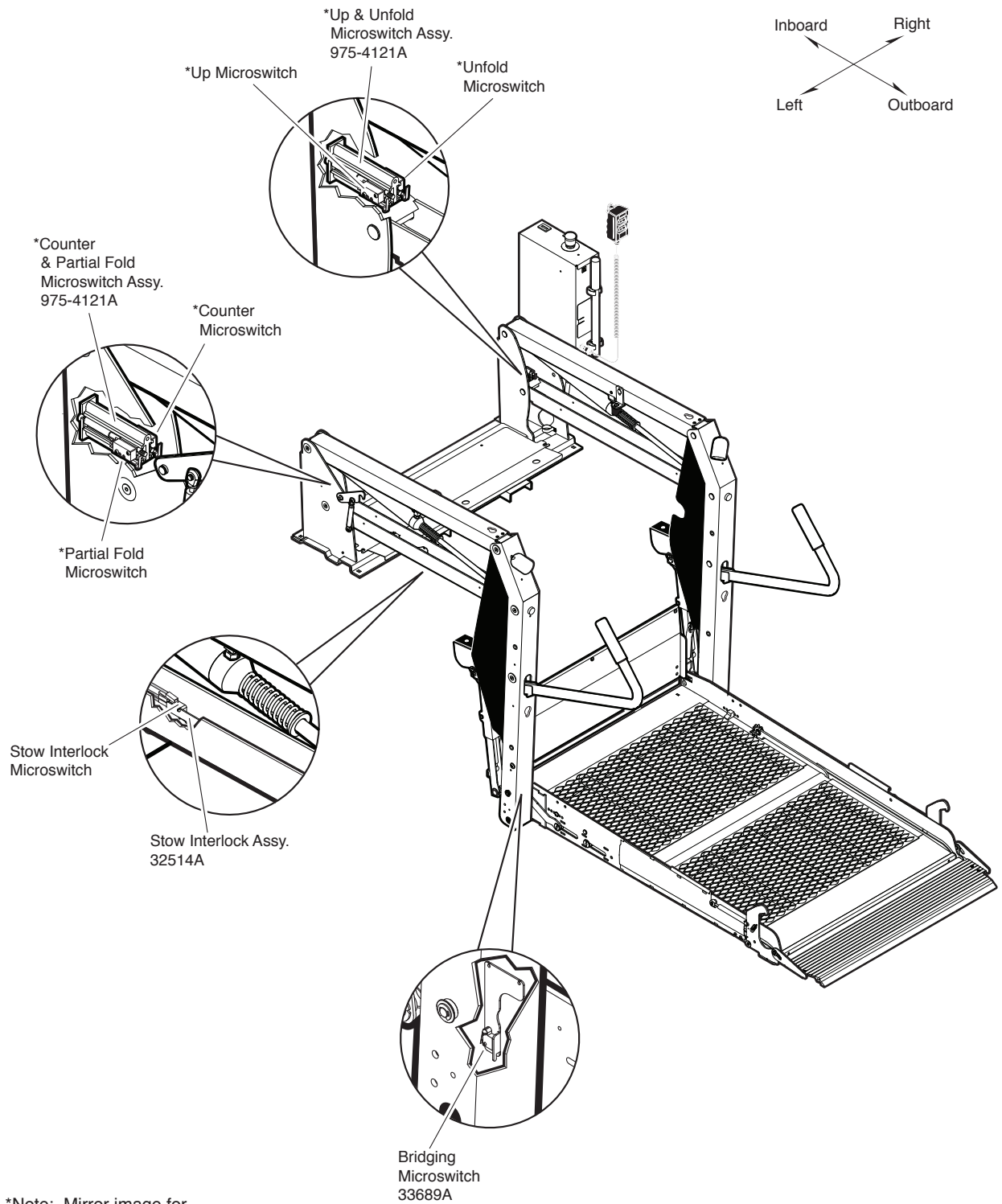
Notice: X must be measured from opposite pump side as shown.

Lift Model	X (cm)	Y (cm)	Z (cm)
VL917FIB3455RP-2	65.63	52.03	21.37
VL917IB3455RP-2	65.63	52.03	21.37
VL918IB3443RP-2	65.63	41.67	21.37
VL919FIBRP-2	65.63	48.58	21.37
VL919IBRP-2	65.63	48.58	21.37
VL927FIB3455RP-2	65.63	52.03	21.37
VL927IB3455RP-2	65.63	52.03	21.37
VL929FIBRP-2	65.63	48.58	21.37
VL995IB2740-2	56.20	41.02	18.46

Lift Terminology



Switch and Sensor Locations



*Note: Mirror image for left (rear) pump lifts.

Platform Fold Pressure Adjustment



1. See Tower 4 (Fold) Switch Adjustment in the Tower Microswitch Adjustment section for proper microswitch setting before adjusting the platform fold pressure.
2. Position the platform at the floor level loading position.
3. Loosen the hex nut on the adjustment screw (do not remove hex nut).
4. Turn the adjustment screw counter clockwise until the platform does not fold when the Fold button is pressed.
5. Turn the adjustment screw clockwise in 1/4 turn increments and press the Fold button until the platform folds completely. Note: Return the platform to floor level position after each attempt to fold the platform.
6. Turn the adjustment screw an additional 1/8 turn after the platform folds successfully.
7. Tighten the hex nut without moving the adjustment screw.
8. Verify the platform will not stow while occupied.

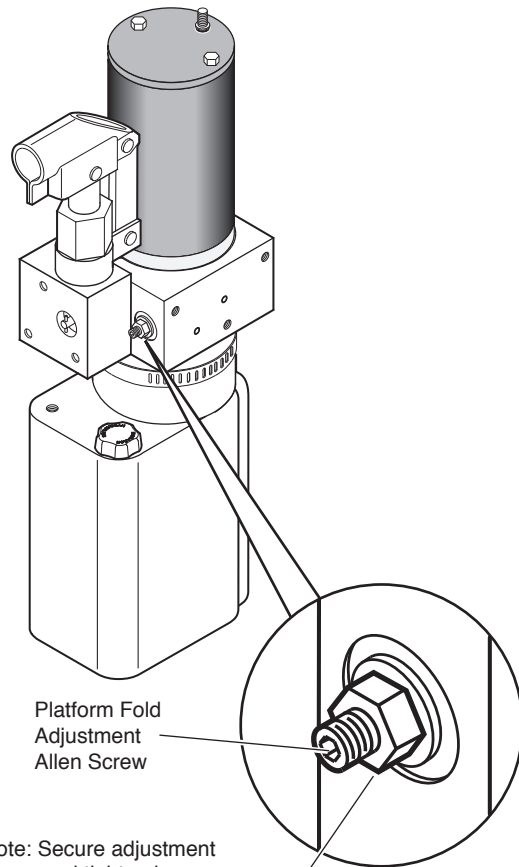
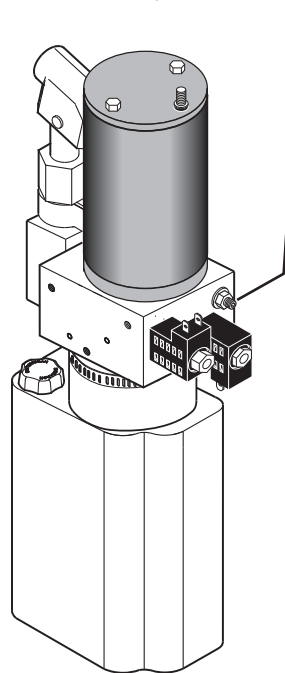


Figure A

DO NOT adjust this valve!
(Located beside Solenoid Valves)

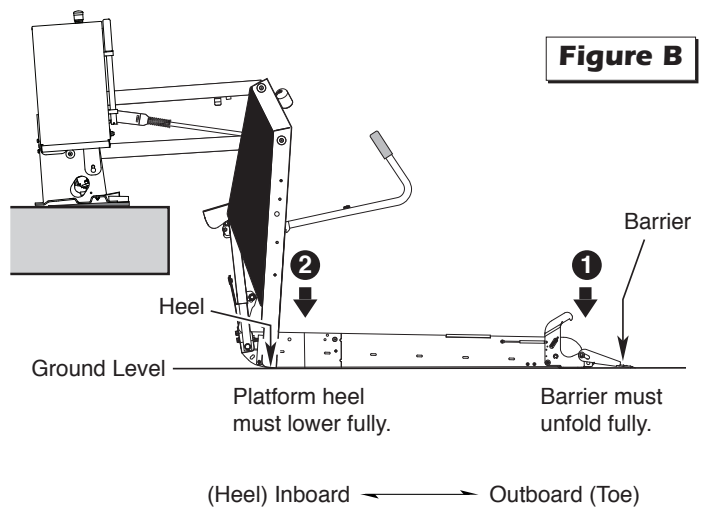


Platform Angle Adjustment



Lowering Sequence Requirements

1. The outboard end (toe) of the platform must contact the ground first to ensure the spring-loaded outer barrier unfolds fully. See Figure B.
2. The inboard end (heel) of the platform must lower fully (vertical arms must contact ground when fully lowered). See Figure B.

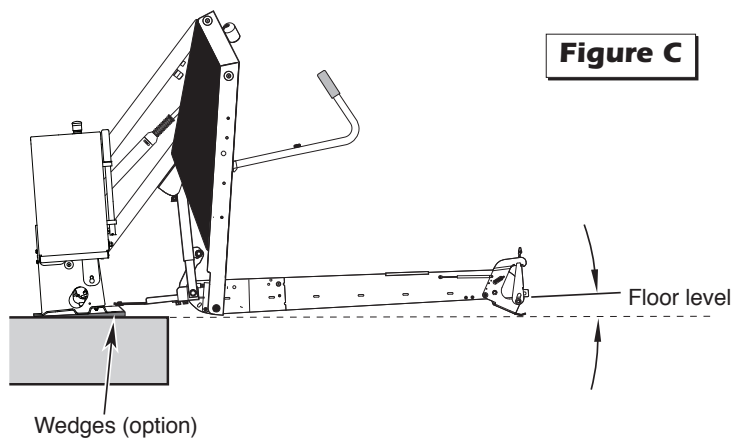


The angle of the platform at ground level directly affects the angle of the platform when positioned at floor level.

Raise the platform to floor level. Note the angle of the platform.

The platform at floor level should have a slight upward angle as shown in Figure C.

Adjust platform angle as detailed below.



Adjustment Procedure:

Platform angle adjustment
Allen screws are provided on each side of the platform (see photo at right).

Turn adjustment screws clockwise to raise the outboard end of the platform. Turn adjustment screws counterclockwise to lower the outboard end of the platform.

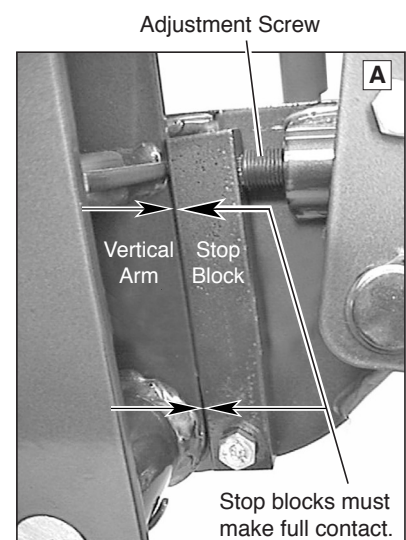
Both adjustment screws must be adjusted equally. Apply thread locker to adjustment screws following adjustment.

Platform Stop Blocks: When adjusting platform angle, ensure both stop blocks are making full contact with the vertical arms (see photo at right).

Floor Level Adjustment:

Following platform angle adjustment, set floor level positioning as detailed in Tower Microswitch Adjustment.

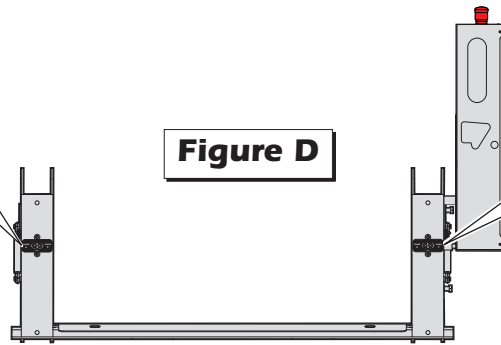
Check platform angle again after performing Tower Microswitch Adjustment procedures.



Tower Microswitch Adjustment



Figure D



Review adjustment procedures below and adjust as needed only.

Left (rear) pump lift depicted. Right (front) pump lift is a mirrored image.

Tower 1 (Unfold) Switch Adjustment

Floor Position from Stow

1. Position platform at the fully stowed position using the manual hand pump or pendant control.
2. Turn switch adjustment screw clockwise 3 full turns.
3. Press pendant UNFOLD switch (continue pressing switch until platform stops unfolding).
4. When platform stops unfolding, turn switch adjustment screw counterclockwise while pressing the pendant UNFOLD switch. Platform position will change. Repeat adjustment until criteria below is met.

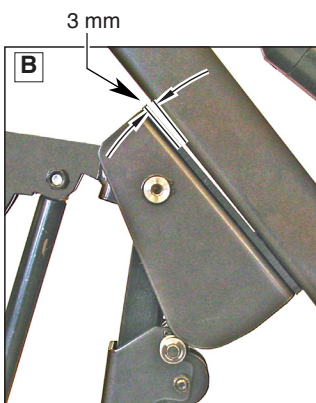
Proper Adjustment Criteria:

- Bridge plate should just rest on threshold plate (base plate). See Photo C.
- Should be an approximate 3 mm clearance between outboard end of rotating pivot slide arm saddle and the lower parallel arm. See Photo B.

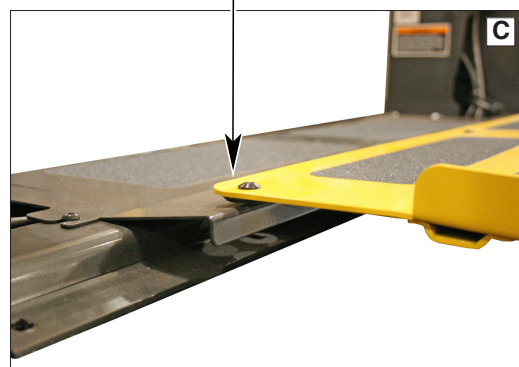
Tower 2 (Up) Switch Adjustment

Floor Position from Below Floor

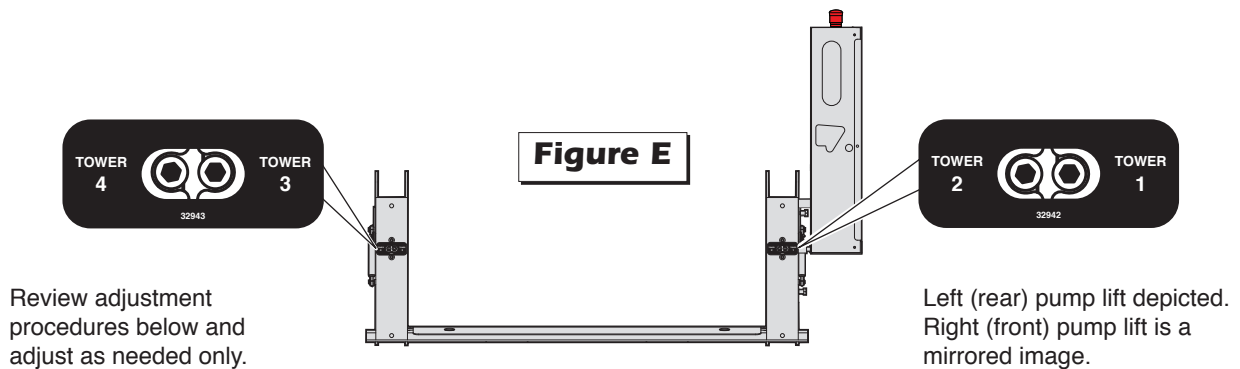
1. Lower platform a minimum of 15.25 cm below floor level position using the manual hand pump or pendant control.
2. Turn switch adjustment screw counterclockwise 3 full turns.
3. Press pendant UP switch (continue pressing switch until platform stops).
4. When platform stops, turn switch adjustment screw clockwise while pressing the pendant UP switch. Platform position will change. Adjust platform to meet criteria listed for Tower 1 Switch "Proper Adjustment Criteria".



Bridge plate should rest on base plate.



Tower Microswitch Adjustment

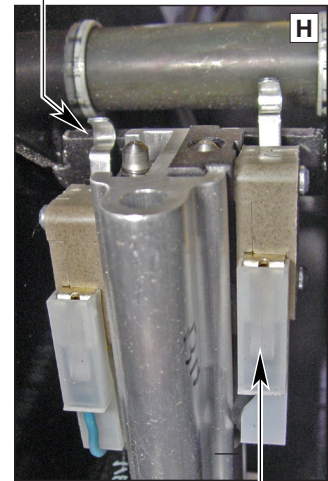


Tower 3 (Count) Switch Adjustment

Cycle Counter Switch

1. Position platform approximately 25 mm below floor level position using the pendant control.
2. View the Tower 3 microswitch inside the lift tower (see Photo H). Turn switch adjustment screw counterclockwise until microswitch no longer contacts the activation plate.
3. Observe the cycle count number on the LCD display. Slowly turn switch adjustment screw clockwise until the microswitch activates (clicks) and the number on the cycle counter LCD has changed.

Radius of Tower 4 microswitch blade activated by apex of activation plate.



Tower 3 Microswitch

Tower 4 (Fold) Switch Adjustment

Partial Fold

1. Position platform at 45° angle using the manual hand pump or pendant control.
2. View the Tower 4 microswitch inside the lift tower (see Photo H). Turn the switch adjustment screw in or out as needed until the radius of the microswitch blade rides on the apex of the activation plate.
3. Verify proper adjustment. Criteria below must be met.

Proper Adjustment Criteria:

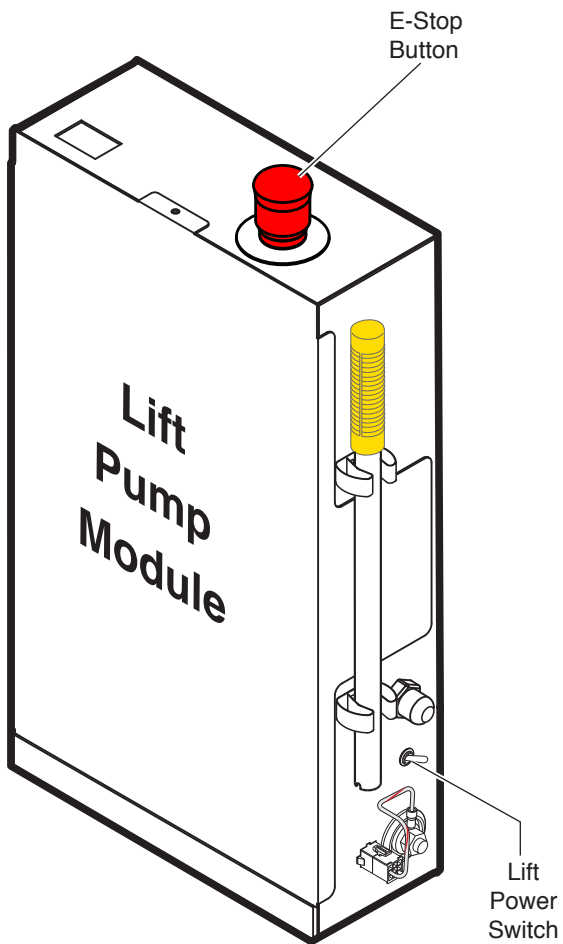
- Apply pressure (push down) on outboard end of platform by pressing the hand pendant FOLD switch. The platform should not fold (stow) with light pressure applied.
- When folding fully, the platform should stow tightly (snug with stow blocks).

Platform Angle Adjustment: Check platform angle after Tower Microswitch Adjustment procedures.

Platform Stop Blocks: Ensure both stop blocks are making full contact with the vertical arms.



Emergency Stop (E-Stop) Operating Instructions



To Activate E-Stop:

Push E-Stop button down.

To Reset E-Stop:

1. Turn lift power OFF.
2. Pull E-Stop button up.
3. Turn lift power ON.

Static and Dynamic Tests

Compatibility between the lift and the vehicle

The installer shall confirm the compatibility between the lift and the vehicle.

Static Test

Deformation

The unladen platform is positioned mid-way between ground level and vehicle floor level and measurements are taken of the height of the platform and its angular attitude relative to the vehicle floor.

A load of "B" kg (see table on following page) is applied to the platform and subsequently removed.

By repeating measurements of the height and attitude of the platform, verify that no permanent deformation has occurred in any part of the lift or its attachment to the vehicle which could affect the function of the lift.

Drift

A load of "B" kg (see table on following page) is applied to the platform, positioned at floor level. Measurements are taken of the height of the platform and its angular attitude relative to the vehicle floor. These measurements are repeated after a 15 minute test period.

Verify that the vertical drift of the platform between the two measurements has not exceeded 15mm.

Verify that the angular drift of the platform between the two measurements has not exceeded 2°.

Test to Verify that the Lift Cannot Lift Excessive Load

A load of "B" kg is applied to the platform, positioned at ground level. Actuate the UP control and verify that the platform does not lift (tilt is permissible).

1. Lower platform to the ground.
2. Place "B" kg (see table on following page) at center of platform.
3. Press UP switch and verify platform does not lift (tilt is permissible).
4. If platform does not lift, proceed to Dynamic Test. If platform does lift, proceed to step 5, pump relief valve adjustment is necessary.
5. Access relief valve (see illustration on following page). Loosen 9/16" hex nut on the relief valve adjustment screw (do not remove hex nut).
6. Turn adjustment screw counterclockwise 1/8 turn.
7. Press UP switch and verify platform does not lift (tilt is permissible).
8. If platform does not lift, tighten 9/16" hex nut (do not turn relief valve adjustment screw while tightening hex nut). If platform does lift, repeat steps 6 through 8

Static and Dynamic Tests

Dynamic Test

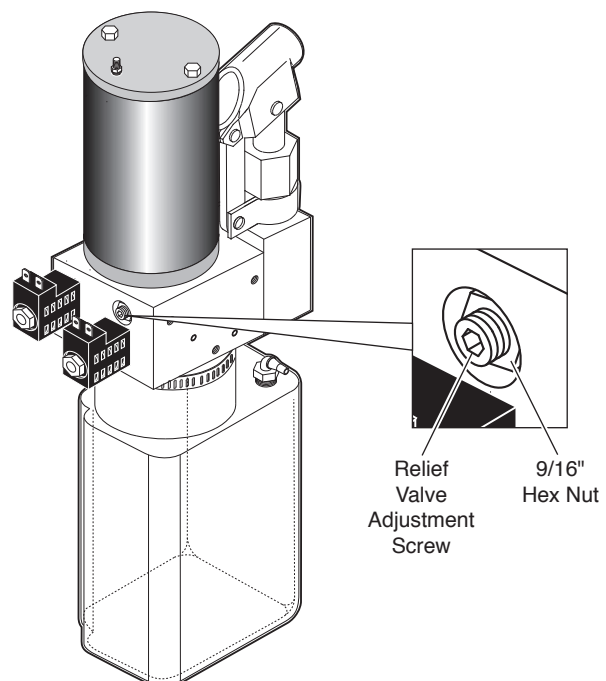
With "A" kg (see table below) applied to the platform, verify that the lift is able to operate throughout its full range of normal lifting and lowering.

1. Lower platform to the ground.
2. Place "A" kg (see table below) at center of platform.
3. Press UP switch and verify that the lift is able to operate throughout its full range of normal lifting and lowering movements.
4. If platform is able to operate throughout its full range of normal lifting and lowering movements, no adjustment is necessary. If platform does not lift, proceed to step 5, pump relief valve adjustment is necessary.
5. Access relief valve (see illustration below). Loosen 9/16" hex nut on the relief valve adjustment screw (do not remove hex nut).
6. Turn adjustment screw clockwise 1/8 turn.
7. Press UP switch and verify lift is able to operate throughout its full range of normal lifting and lowering movement.
8. If lift does not operate throughout its full range, repeat steps 6 through 8. If lift does operate throughout its full range, tighten 9/16" hex nut (do not turn relief valve adjustment screw while tightening hex nut).

Test of Operations and Safety Functions

All functions of the lift and operations of all safety devices are verified after the static and dynamic tests have been completed. These tests do not apply to pipe break valves nor non-resettable safety devices such as electrical fuses (These items are the subject of a manufacturer's type test).

	Lift With 272kg (600 lb.) Load Rating	Lift With 363kg (800 lb.) Load Rating
A	272	363
B	340	455



NOTES

This page intentionally left blank.

Maintenance and Lubrication



Proper maintenance is necessary to ensure safe, trouble-free lift operation. Inspecting the lift for any wear, damage or other abnormal conditions should be a part of the transit agency daily service program. Simple inspections can detect potential problems.

Park vehicle on a level surface clear of traffic and bystanders. Place vehicle transmission in “Park” and engage parking brake. Deploy lift to ground level. Provide adequate work space around fully-deployed lift. Perform specified maintenance and lubrication procedures (position lift as required).

Pump Module: When cleaning the exterior of the pump module, first disconnect the unit from its power source. Do not use liquid cleaners, aerosols, abrasive pads, scouring powders or solvents, such as benzine or alcohol. Use a soft cloth lightly moistened with a mild detergent solution. Ensure the surface cleaned is fully dry before reconnecting power.

Other Components: Clean components and the surrounding area before applying lubricants. Clean only with mild detergent and water. Do not clean with solvents. Allow the lift to dry thoroughly and apply lubricants as specified after every cleaning.

LPS2 General Purpose Penetrating Oil is recommended where Light Oil is called out. Use of improper lubricants can attract dirt or other contaminants which could result in wear or damage to

components. Platform components exposed to contaminants when lowered to the ground may require extra attention.

Perform maintenance and lubrication procedures at the scheduled intervals according to the number of cycles.

When servicing the lift at the recommended intervals, inspection and lubrication procedures specified in the previous sections should be repeated.

These intervals are a general guideline for scheduling maintenance procedures and will vary according to lift use and conditions. Lifts exposed to severe conditions (weather, environment, contamination, heavy usage, etc.) may require inspection and maintenance procedures to be performed more often than specified.

Records of maintenance and service procedures should be maintained.

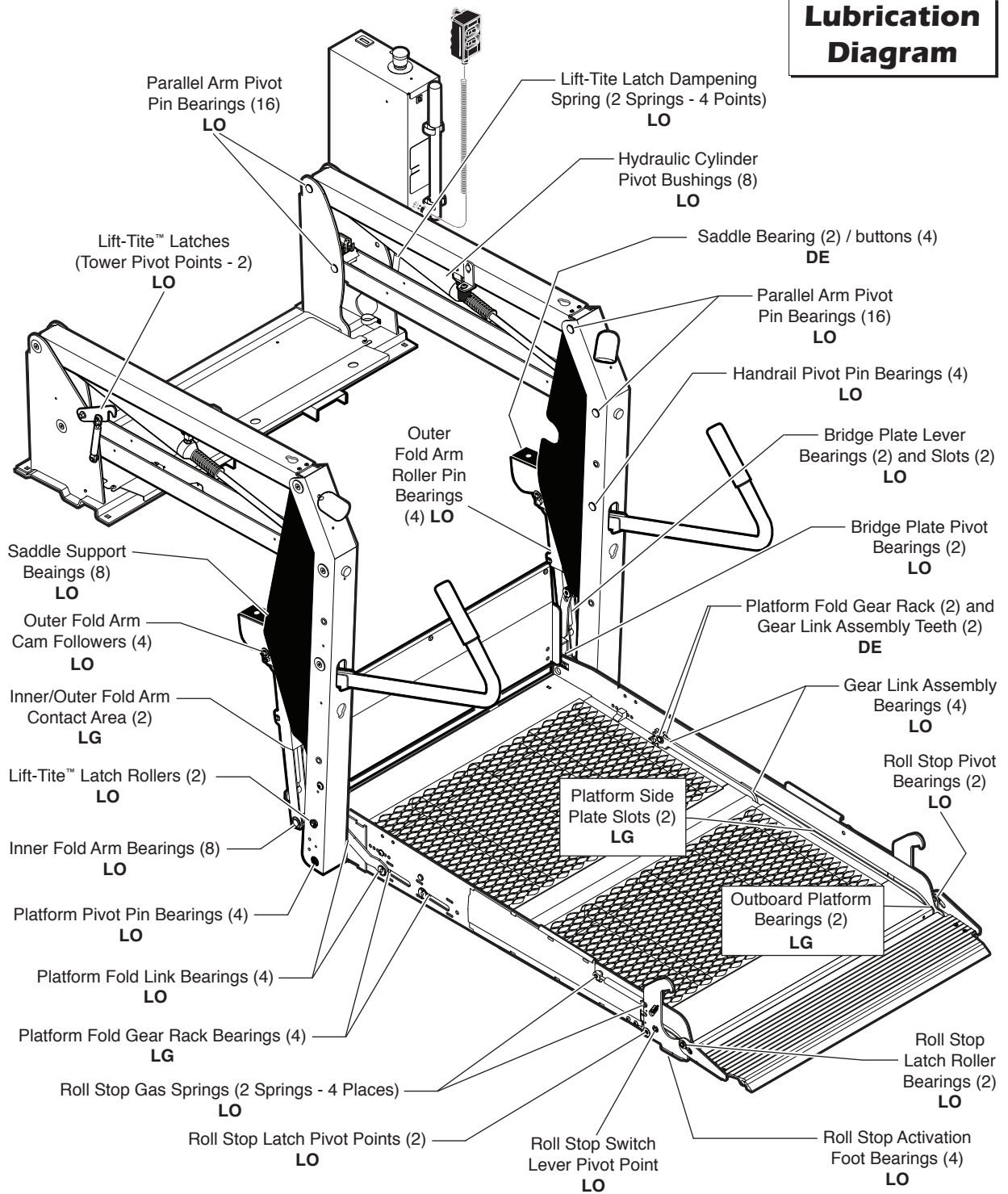
Discontinue lift use if maintenance and lubrication procedures are not properly performed, or if there is any sign of wear, damage or improper operation. Contact your authorized representative.

WARNING

Maintenance and lubrication procedures must be performed as specified by an authorized service technician. Failure to do so may result in serious bodily injury and/or property damage.

Maintenance and Lubrication

Lubrication Diagram



See the Maintenance/Lubrication Schedule for recommended applications per number of cycles.

Lubricant	Type	Specified (recommended) Lubricant	Available Amount	Braun Part No.
LO - Light Oil	Light Penetrating Oil (30 weight or equivalent)	LPS2, General Purpose Penetrating Oil	16 oz. Aerosol Can	15807
DE - Door-Ease	Stainless Stick Style (tube)	Door-Ease Stick (tube)	1.68 oz.	15806
LG - Light Grease	Light Grease (Multipurpose)	Lubriplate	14 oz. Can	15805

Maintenance and Lubrication Schedule

750 Cycles	Roll stop pivot points (2)	Apply Light Oil - See Lubrication Diagram
	Roll stop latch pivot points (2)	Apply Light Oil - See Lubrication Diagram
	Roll stop latch roller bearing (2)	Apply Light Oil - See Lubrication Diagram
	Roll Stop switch lever pivot point	Apply Light Oil - See Lubrication Diagram
	Roll stop gas springs (2 springs - 4 points)	Apply Light Oil - See Lubrication Diagram
	Gear link assembly bearings (4)	Apply Light Oil - See Lubrication Diagram
	Gear link assembly teeth (2)	Apply Door Ease - See Lubrication Diagram
	Outboard platform bearings (2)	Apply Light Grease - See Lubrication Diagram
	Platform fold link bearings (4)	Apply Light Oil - See Lubrication Diagram
	Platform fold gear rack bearings (4)	Apply Light Grease - See Lubrication Diagram
	Platform fold gear rack teeth (2)	Apply Door Ease - See Lubrication Diagram
	Lift-Tite™ latches (tower pivot points - 2)	Apply Light Oil - See Lubrication Diagram
	Lift-Tite™ latch gas (dampening) spring pivot points (2 springs - 4 points)	Apply Light Oil - See Lubrication Diagram
	Platform side plate slots	Apply Light Grease - See Lubrication Diagram
	Inspect Lift-Tite™ latches and gas (dampening) springs for wear or damage (bent, deformed or misaligned), positive securement (lock nuts / external snap rings) and proper operation	Resecure, replace damaged parts or otherwise correct as needed. Note: Apply Light Grease to Lift-Tite™ latch tower pivot point if replacing latch
Inspect roll stop for proper operation	Correct or replace damaged parts.	
Inspect roll stop latch for proper operation, positive securement, and detached or missing spring(s)	Correct or replace damaged parts and/or relubricate. See Lubrication Diagram	
Adjust fold pressure	See Platform Fold Pressure Adjustment	

Maintenance and Lubrication Schedule

750 Cycles	Inspect lift for wear, damage or any abnormal condition	Correct as needed.
	Inspect lift for rattles	Correct as needed.
1500 Cycles	Inner/outer fold arms (2)	Apply grease (synthetic) to contact areas between inner/outer fold arms. See Lubrication Diagram
	Platform pivot pin bearings (4)	Apply Light Oil - See Lubrication Diagram
	Inner fold arm bearings (8)	Apply Light Oil - See Lubrication Diagram
	Bridge plate pivot bearings (2)	Apply Light Oil - See Lubrication Diagram
	Bridge plate lever bearings (2)	Apply Light Oil - See Lubrication Diagram
	Bridge plate lever slot (2)	Apply Light Oil - See Lubrication Diagram
	Saddle support bearings (8)	Apply Light Oil - See Lubrication Diagram
	Outer fold arm roller pin bearings (4)	Apply Light Oil - See Lubrication Diagram
	Outer fold arm cam followers (4)	Apply Light Oil - See Lubrication Diagram
	Parallel arm pivot pin bearings (16)	Apply Light Oil - See Lubrication Diagram
	Handrail / switch arm pivot pin bearings (4)	Apply Light Oil - See Lubrication Diagram
	Hydraulic cylinder pivot bushings (8)	Apply Light Oil - See Lubrication Diagram
	Inspect Lift-Tite™ latch rollers for wear or damage, positive securement and proper operation (2)	Correct, replace damaged parts and/or relubricate. See Lubrication Diagram.
	Inspect bridge plate for: <ul style="list-style-type: none"> • Wear or damage • Proper operation. Roll stop should just rest on top surface of the base plate cover. • Positive securement (both ends) 	Resecure, replace or correct as needed. See Platform Angle Instructions and Tower Microswitch Adjustment Instructions.

Maintenance and Lubrication Schedule

1500 Cycles	<p>Inspect handrail / switch arm components for wear or damage, and for proper operation</p> <p>Inspect microswitches for securement and proper adjustment.</p> <p>Make sure lift operates smoothly</p> <p>Inspect bridge plate locks (2) and torsion springs (2) for wear or damage and for proper operation</p> <p>Inspect external snap rings:</p> <ul style="list-style-type: none"> • Inner fold arms (6) • Lift-Tite™ latch rollers (2) • Lift-Tite™ latch gas (dampening) springs (4) • Roll stop latch gas springs (2) • Roll stop latch pivots (2) • Roll stop switch lever pivot (1) • Roll stop latch rollers (2) • Outer fold arm cam followers (4) • Outer fold arm roller pins (4) • Bridge plate lever bracket pins (2) <p>Inspect inner fold arm pins (2), axles (2) and bearings (8) for wear or damage and positive securement</p> <p>Remove pump module cover and inspect:</p> <ul style="list-style-type: none"> • Hydraulic hoses, fittings and connections for wear or leaks • Harness cables, wires, terminals and connections for securement or damage • Up / Fold Solenoid, fuses, relays and switches for securement or damage 	<p>Replace damaged parts.</p> <p>Resecure, replace or adjust as needed. See Microswitch Adjustment Instructions.</p> <p>Realign towers and vertical arms. Lubricate or correct as needed.</p> <p>Replace damaged parts. Apply Light Oil to bridge plate lock pivot point.</p> <p>Resecure or replace if needed.</p> <p>Replace damaged parts and resecure as needed. Apply Light Oil.</p> <p>Resecure, replace or correct as needed.</p>
------------------------	---	--

4500 Cycles	<p>Hydraulic Fluid (Pump) - Check level. Note: Fluid should be changed if there is visible contamination. Inspect the hydraulic system (cylinder, hoses, fittings, seals, etc.) for leaks if fluid level is low.</p>	<p>Use Braun 32840-QT hydraulic fluid (Exxon® Unavis HVI 26). Do not mix with Dextron III or other hydraulic fluids. Check fluid level with platform lowered fully. Fill to maximum fluid level indicated on reservoir (specified on decal). Do not overfill. If fluid level decal is not present - measure 35mm (1-3/8") from the fill port to locate fluid level.</p>
------------------------	--	---

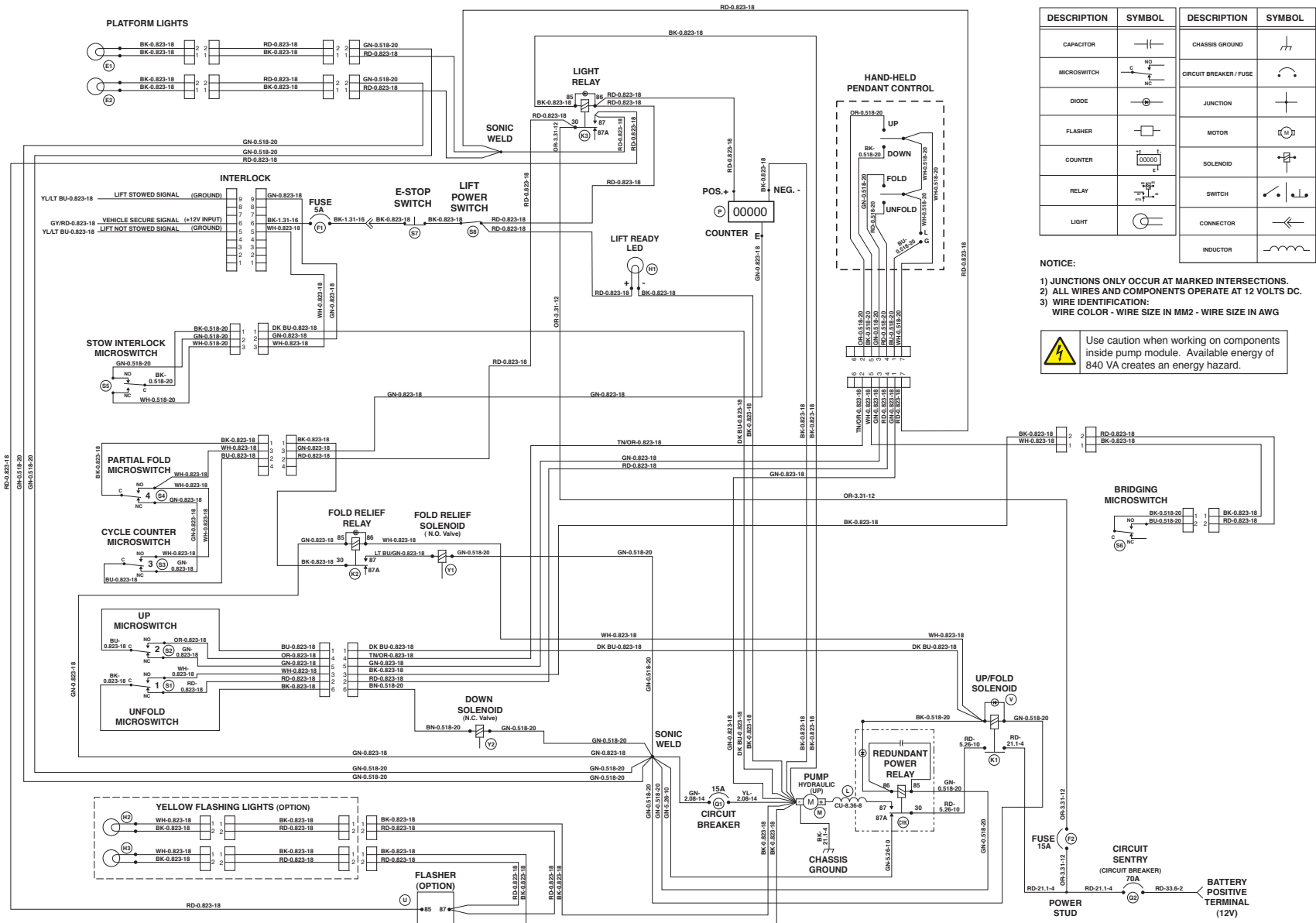
Maintenance and Lubrication Schedule

4500 Cycles	Inspect cotter pins on platform pivot pins (2)	Resecure, replace or correct as needed
	Inspect cylinders, fittings and hydraulic connections for wear, damage or leaks	Tighten, repair or replace if needed.
	Inspect parallel arms, bearings and pivot pins for visible wear or damage	Replace if needed.
	Inspect parallel arm pivot pin mounting bolts (8)	Tighten or replace if needed.
	Inspect platform pivot pins, bearings and vertical arms for wear, damage and positive securement	Replace damaged parts and lubricate if needed. Apply Light Grease during reassembly procedures.
	Inspect inner/outer fold arms, saddle, saddle support and associated pivot pins and bearings for visible wear or damage	Replace if needed.
	Inspect gas springs (cylinders -6) for wear or damage, proper operation and positive securement	Tighten, replace or correct as needed
	Inspect saddle bearings (2) / buttons (4)	Apply Door-Ease or replace if needed. See Lubrication Diagram.
	Inspect vertical arm plastic covers	Resecure or replace if needed.
	Inspect power cable	Resecure, repair or replace if needed.
Mounting	Check to see that the lift is securely anchored to the vehicle and there are no loose bolts, broken welds, or stress fractures.	
Decals and Antiskid	Replace decals if worn, missing or illegible. Replace antiskid if worn or missing. See Decals and Antiskid section.	

Consecutive 750 Cycle Intervals	Repeat all previously listed inspection, lubrication and maintenance procedures at 750 cycle intervals.
--	---

Lift Disposal Procedure	<ol style="list-style-type: none"> 1. Return lift to an authorized dealer for draining of the hydraulic system. 2. Transport lift to a recycling center for recycling.
--	--

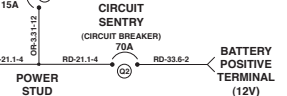
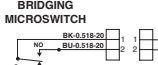
12V Lift Electrical Schematic



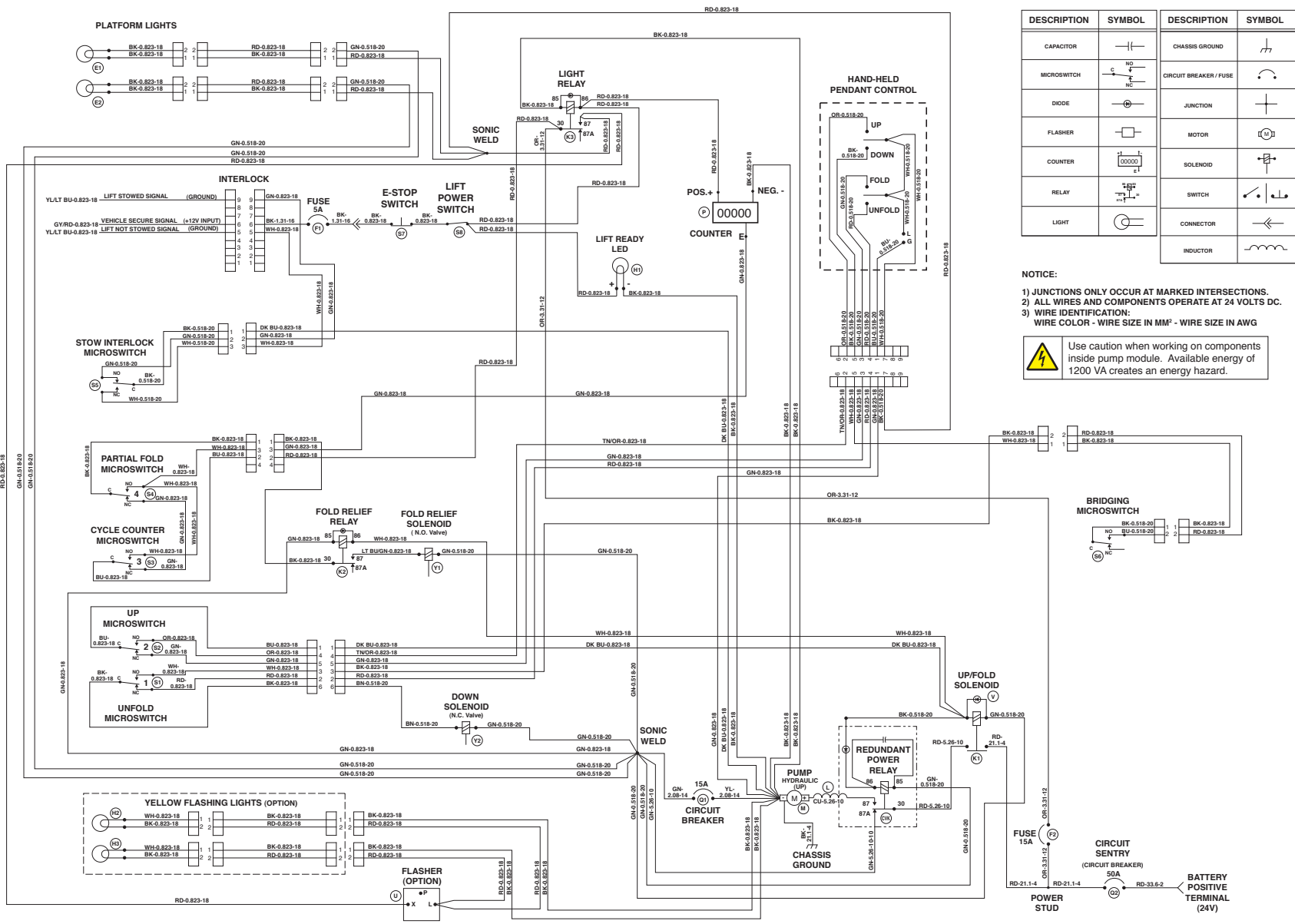
DESCRIPTION	SYMBOL	DESCRIPTION	SYMBOL
CAPACITOR		CHASSIS GROUND	
MICROSWITCH		CIRCUIT BREAKER / FUSE	
DIODE		JUNCTION	
FLASHER		MOTOR	
COUNTER		SOLENOID	
RELAY		SWITCH	
LIGHT		CONNECTOR	
		INDUCTOR	

- NOTICE:**
- 1) JUNCTIONS ONLY OCCUR AT MARKED INTERSECTIONS.
 - 2) ALL WIRES AND COMPONENTS OPERATE AT 12 VOLTS DC.
 - 3) WIRE IDENTIFICATION:
WIRE COLOR - WIRE SIZE IN MM2 - WIRE SIZE IN AWG

Use caution when working on components inside pump module. Available energy of 840 VA creates an energy hazard.



24V Lift Electrical Schematic



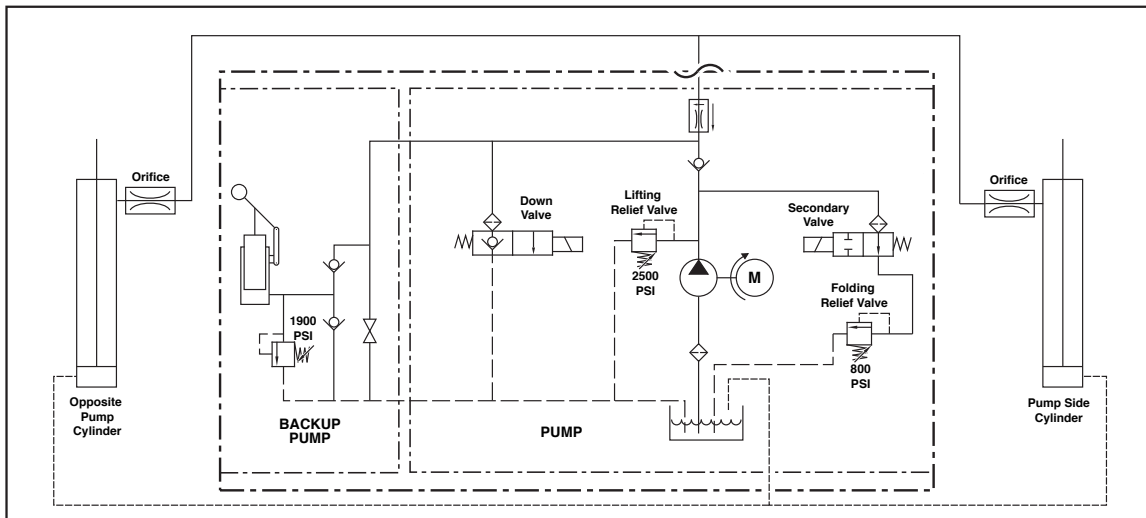
DESCRIPTION	SYMBOL	DESCRIPTION	SYMBOL
CAPACITOR		CHASSIS GROUND	
MICROSWITCH		CIRCUIT BREAKER / FUSE	
DIODE		JUNCTION	
FLASHER		MOTOR	
COUNTER		SOLENOID	
RELAY		SWITCH	
LIGHT		CONNECTOR	
		INDUCTOR	

NOTICE:

- 1) JUNCTIONS ONLY OCCUR AT MARKED INTERSECTIONS.
- 2) ALL WIRES AND COMPONENTS OPERATE AT 24 VOLTS DC.
- 3) WIRE IDENTIFICATION:
WIRE COLOR - WIRE SIZE IN MM² - WIRE SIZE IN AWG

Use caution when working on components inside pump module. Available energy of 1200 VA creates an energy hazard.

Hydraulic Schematic



Description	Symbol	Description	Symbol
Fixed Displacement Pump		Hydraulic Port	
Pump Motor		2 Way 2 Position Solenoid Valve	
Backup Pump		Pressure Compensated Flow Control	
Single Acting Cylinder		Relief Valve	
Check Valve		Filter Screen	
Unfold Orifice		Vented Reservoir	
Manual Shutoff Valve			

12 Volt Hydraulics Parts List

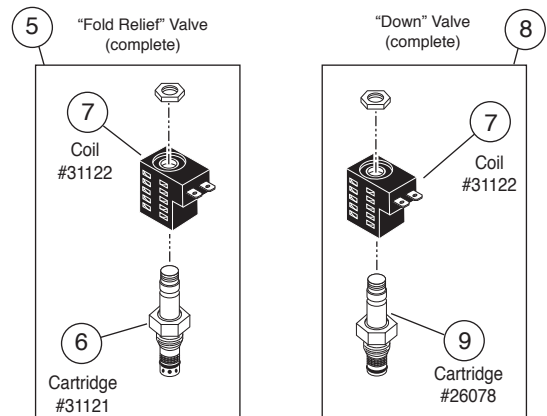
Item	Qty.	Description	Part #
1	1	Pump Assembly (M-268-0116) 120G / 12V / Dual Relief	32858-12V
2	1	Clamp, Reservoir - H-48 (M259)	17069
3	1	Solenoid, 4-Post Trombetta - Angle	35310
4	1	Motor, Pump - 12 Volt - Low RPM	29690
5	1	Valve Assembly, "Fold Relief" (complete)	31120K
6	1	Cartridge (only), "Fold Relief" Valve - (shown below)	31121
7	2	Coil (only) - (shown below)	31122
8	1	Valve Assembly, "Down" (complete)	31348K
9	1	Cartridge (only), "Down" Valve - (shown below)	26078
10	1	Clamp, Hose - Solenoid Mounting	29663
11	1	Reservoir, Hydraulic Fluid	30160
12	1	Cap, Reservoir Filler - Screw On	30167
13	1	Fitting, 90° - 1/8" NPT x 1/8" Barb - Plastic	87563
14	1	Hand Pump (Backup) with O-Rings (Item 16)	26074
15	3	Screw, 1/4-20 x 2-1/4", Allen Head	26080
16	4	O-Ring (only), Hand Pump Mounting	17351
17	1	Diode Assembly, Up Solenoid	73906A
18	1	Hose, Thermal Plastic - Black, 1/8" I.D.	23742R*
19	1	Connector, Plastic "Y", 1/8" O.D.	18877
20	1	Fitting, Male 7-16-20 SAE O-Ring to Male 7/16-20 JIC 37°	24504
21	1	Elbow, 7/16-20 JIC 37 Female Swivel (1) - 7/16-20 JIC 37° Male (2)	26579
22		(VL917IB3455RP-2, VL917FIB3455RP-2, VL918IB3444RP-2, VL919IBRP-2, VL919FIBRP-2)	
	1	Hose Assembly, 1/8" (Opposite-Pump-Side)	16004A-093.5
		(VL995IB2740-2)	
	1	Hose Assembly, 1/8" (Opposite-Pump-Side)	16004A-078
23		(VL917IB3455RP-2, VL917FIB3455RP-2, VL918IB3444RP-2, VL919IBRP-2, VL919FIBRP-2)	
	1	Hose Assembly, 1/8" (Pump-Side)	16004A-053.5
		(VL995IB2740-2)	
	1	Hose Assembly, 1/8" (Pump-Side)	16004A-040
24	2	Cylinder ✓ (VL917IB3455RP-2, VL917FIB3455RP-2, VL919IBRP-2, VL919FIBRP-2)	C1514.3-0408N
	2	Cylinder ✓ (VL918IB3444RP-2)	C1514.3-0407N
	2	Cylinder ✓ (VL995IB2740-2)	C1512.8-0408LT
25	2	Elbow, 90°, 7/16-20 SAE O-Ring Male - 7/16-20 JIC 37° Male, Orifice	26667
26	2	Elbow, 90°, 1/4 NPT Male to 1/4" Barbed	15150
27	1	Handle with Grip	17206A
28	1	Kit, Hydraulic Port Service Cap	27049K
29	1	Inductor Coil Assembly, Public - Intl - Vista - 12V	36727A

✓ **Seal Kits:** If repairing a cylinder, order Seal Kit #1500-0500P.

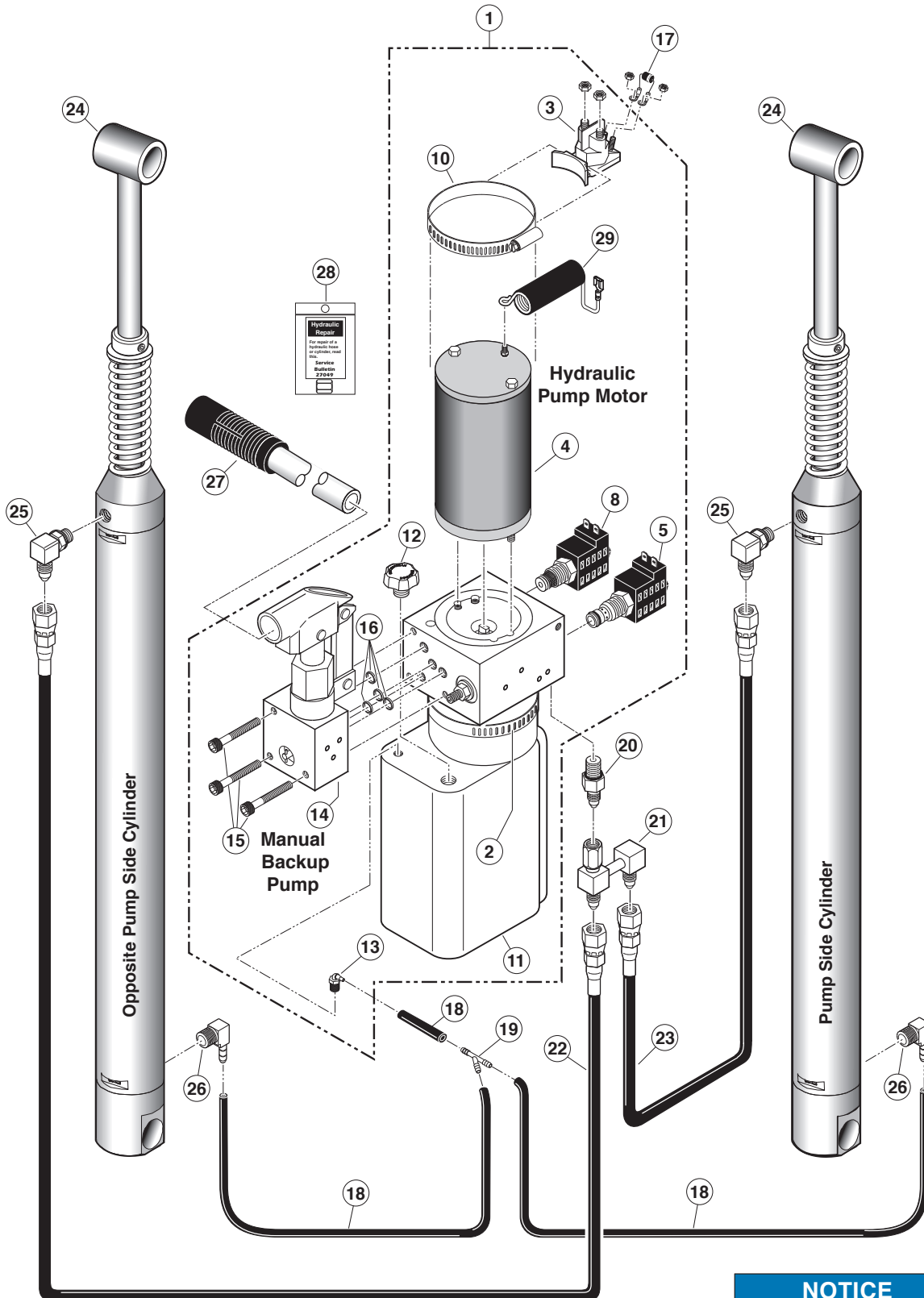
* Raw material items ordered and priced per inch (order specified length).

NOTICE


When adding or changing hydraulic fluid, use Braun 32840-QT (Exxon® Unisolv HVI 26) hydraulic fluid (do not mix with Dextron III or other hydraulic fluids).



12 Volt Hydraulics Diagram



NOTICE
 Remove power from pump module and any spark source before working with hydraulic fluid and components. Wear proper eye protection. Use protective gloves for prolonged contact with hydraulic fluid.

 Use caution when working on components inside pump module. Available energy of 840 VA creates an energy hazard.

24 Volt Hydraulics Parts List

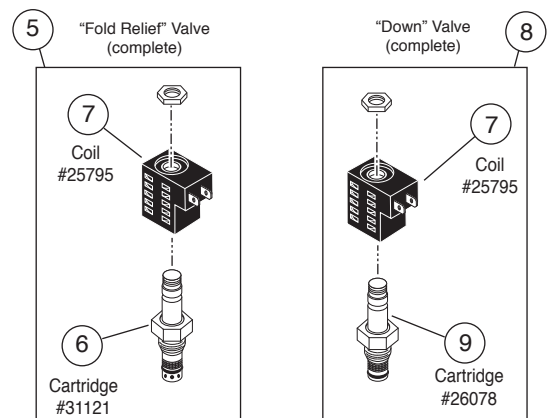
Item	Qty.	Description	Part #
1	1	Pump Assembly (M-268-0116) 120G / 24V / Dual Relief	32858-24V
2	1	Clamp, Reservoir - H-48 (M259)	17069
3	1	Solenoid, 4-Post Trombetta - Angle	35310-24V
4	1	Motor, Pump - 24 Volt - Low RPM	36725
5	1	Valve Assembly, "Fold Relief" (complete)	36565K
6	1	Cartridge (only), "Fold Relief" Valve - (shown below)	31121
7	2	Coil (only) - (shown below)	25795
8	1	Valve Assembly, "Down" (complete)	36566K
9	1	Cartridge (only), "Down" Valve - (shown below)	26078
10	1	Clamp, Hose - Solenoid Mounting	29663
11	1	Reservoir, Hydraulic Fluid	30160
12	1	Cap, Reservoir Filler - Screw On	30167
13	1	Fitting, 90° - 1/8" NPT x 1/8" Barb - Plastic	87563
14	1	Hand Pump (Backup) with O-Rings (Item 16)	26074
15	3	Screw, 1/4-20 x 2-1/4", Allen Head	26080
16	4	O-Ring (only), Hand Pump Mounting	17351
17	1	Diode Assembly, Up Solenoid	73906A
18	1	Hose, Thermal Plastic - Black, 1/8" I.D.	23742R*
19	1	Connector, Plastic "Y", 1/8" O.D.	18877
20	1	Fitting, Male 7-16-20 SAE O-Ring to Male 7/16-20 JIC 37°	24504
21	1	Elbow, 7/16-20 JIC 37 Female Swivel (1) - 7/16-20 JIC 37° Male (2)	26579
22	1	Hose Assembly, 1/8" (Opposite-Pump-Side)	16004A-093.5
23	1	Hose Assembly, 1/8" (Pump-Side)	16004A-053.5
24	2	Cylinder ✓	C1514.3-0408N
25	2	Elbow, 90°, 7/16-20 SAE O-Ring Male - 7/16-20 JIC 37° Male, Orifice	26667
26	2	Elbow, 90°, 1/4 NPT Male to 1/4" Barbed	15150
27	1	Handle with Grip	17206A
28	1	Kit, Hydraulic Port Service Cap	27049K
29	1	Inductor Coil Assembly, Public - Intl - Vista - 24V	36727A-24V

✓ **Seal Kits:** If repairing a cylinder, order Seal Kit #1500-0500P.

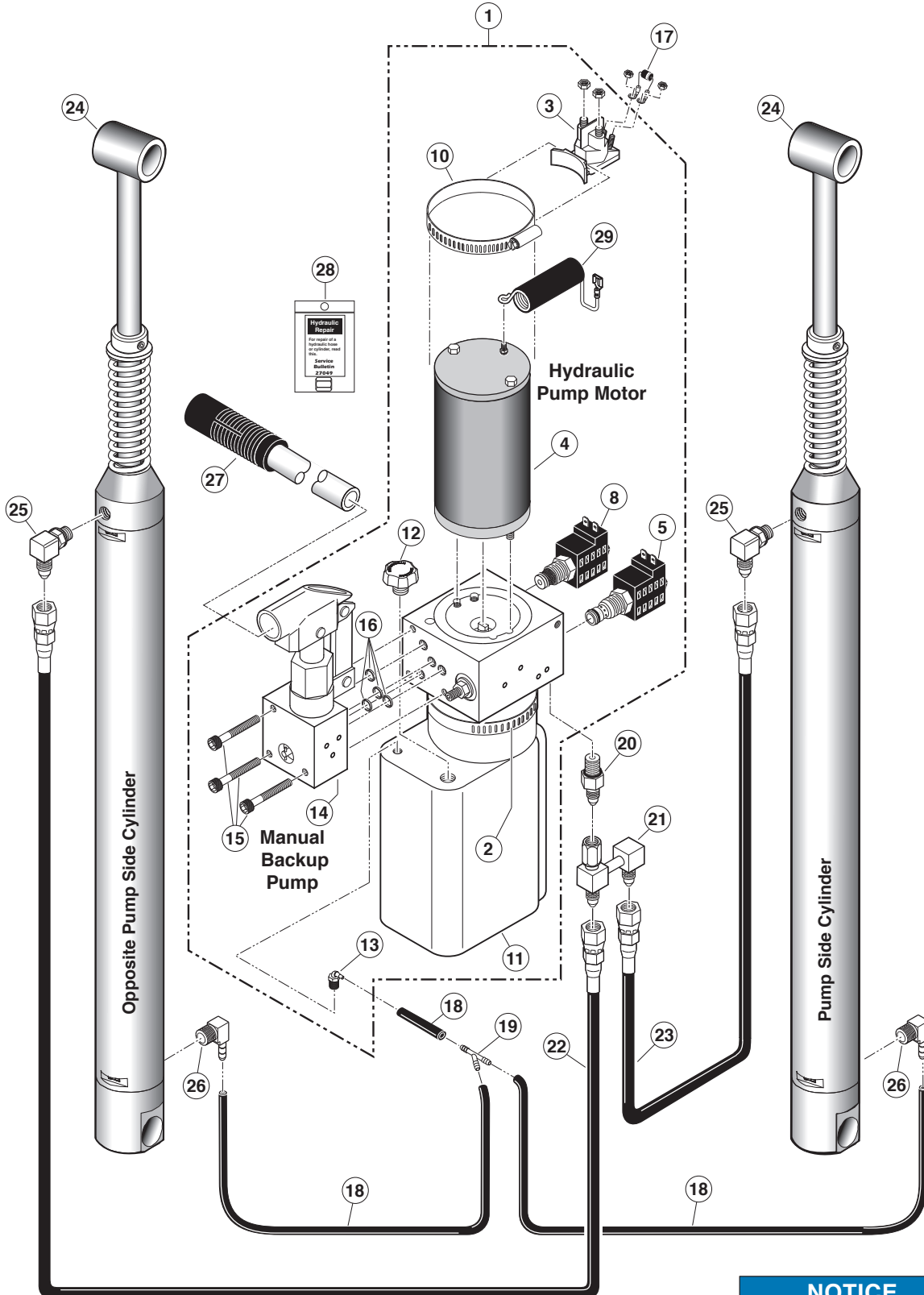
* Raw material items ordered and priced per inch (order specified length).

NOTICE

When adding or changing hydraulic fluid, use Braun 32840-QT (Exxon® Unisolv HVI 26) hydraulic fluid (do not mix with Dextron III or other hydraulic fluids).



24 Volt Hydraulics Diagram



NOTICE

Remove power from pump module and any spark source before working with hydraulic fluid and components. Wear proper eye protection. Use protective gloves for prolonged contact with hydraulic fluid.



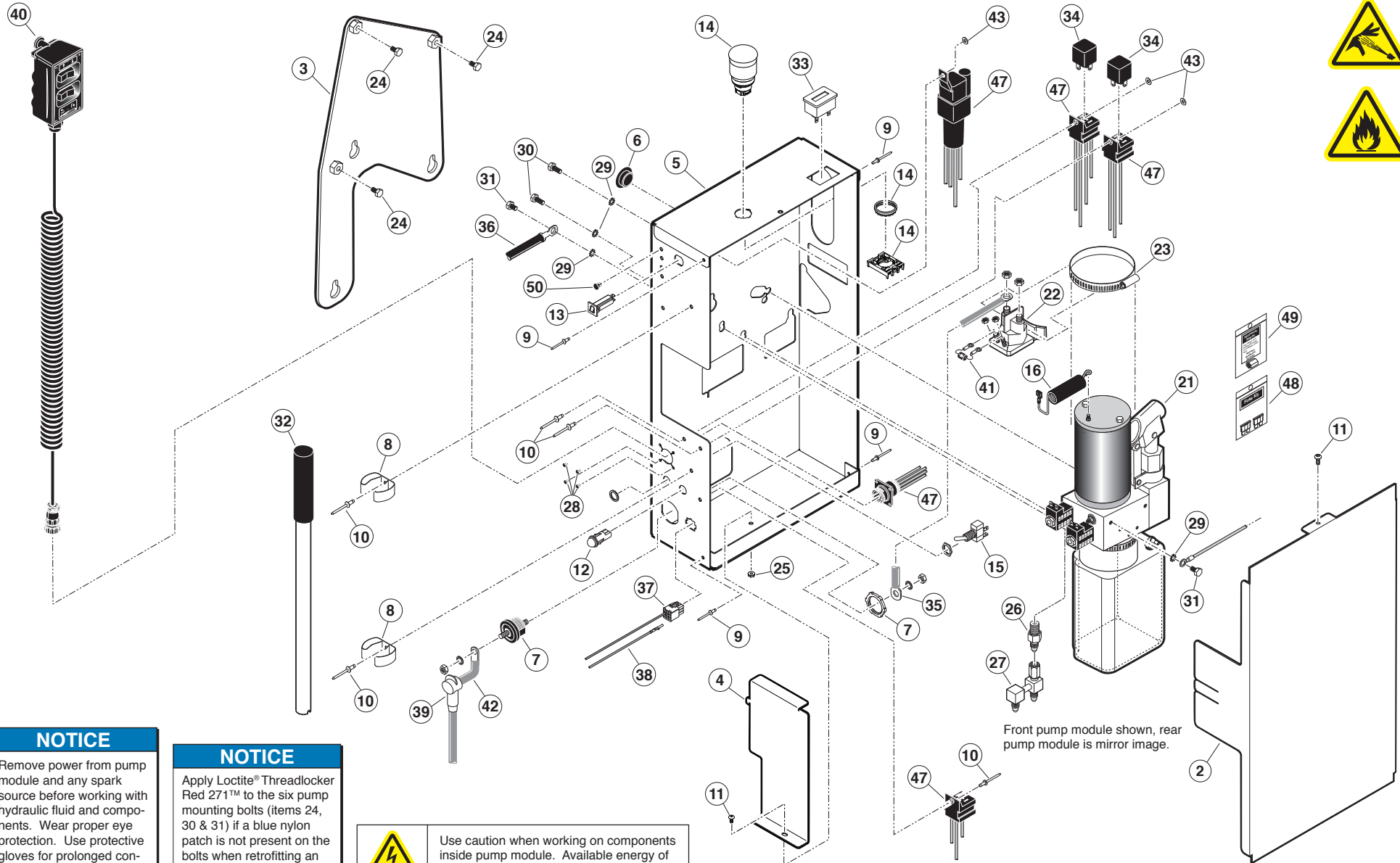
Use caution when working on components inside pump module. Available energy of 1200 VA creates an energy hazard.

12 Volt (Except VL995) Pump Module Parts List

			VL917IB3455RP-2	VL917IB3455RP-2
Item	Qty.	Description	VL918IB3444RP-2	VL919FIBRP-2
			VL919IBRP-2	VL919FIBRP-2
	1	Pump Module (complete) ✕	V917-0516RARP	V917-0516FARP
1	1	Harness, Bridge Input ✕	35608RA	35608FAXL
2	1	Cover, Pump Module	947-2519RN	947-2519FN
3	1	Weldment, 7.5" RP Adapter Plate	33381RW	33381FW
4	1	Guard, Splash	36377R	36377F
5	1	Housing, Pump	917-0513R	917-0513F
		Housing, Pump Assy (Items 5-15)	917-0513RA	917-0513FA
6	1	Cap, End - Plastic 1" ID x 1 1/4" OD	-	20474
Item	Qty.	Description	Part #	
7	1	Stud, Power Feed	26084	
8	2	Clamp, Spring - Pump Handle	12350	
9	4	Rivet, Pop, SD43BS - 1/8" - .13"/.19"	12954	
10	5	Rivet, Pop, SD62BS - 3/16" - .06"/.13"	11512	
11	2	Screw, #10-32 x 1/2", BHSC, Auto-Bk	30377	
12	1	Diode, Green LED - 12V	29545	
13	1	Circuit Breaker, Manual Reset - 15 Amperes	35143	
14	1	E-Stop Button w/ Nut and Switch Retainer	36414-1	
15	1	Switch, Toggle w/ Gold Contacts	31787	
16	1	Inductor Coil Assembly, Public - Intl - Vista -12V	36727A	
17	1	Harness, Extension Lighting ✕	31033A61.5	
18	1	Harness, Extension Lighting ✕	31033A103.5	
19	1	Hose Assy, 1/8" (Opposite Pump Side) ✕	16004A-093.5	
20	1	Hose Assy, 1/8" (Pump Side) ✕	16004A-053.5	
21	1	Pump Assembly (M268-0116) 12V-120G - Dual Relief (Includes Items 22 & 23)	32858-12V	
22	1	Solenoid, Up - 4-Post Trombetta - Angle	35310	
23	1	Clamp, Hose - Solenoid Mounting	29663	
24	3	Bolt, 3/8-16 x 1/2" w/Nylock Patch * See note below	29729	
25	1	Nut, #10-32 w/Lockwasher / Auto-Bk	18349	
26	1	Fitting, Male 7/16-20 O-Ring to Male 7/16-20 JIC 37°	24504	
27	1	Elbow, Manifold - Female Swivel 7/16-20 JIC 37° to (2) Male 7/16-20 JIC 37°	26579	
28	4	Rivet, Snap, .122" Dia. - .158" - .197" Thick	25759	
29	4	Washer, 5/16" External Tooth	16368	
30	2	Bolt, 5/16-18 x 3/4", Nylock, Hex * See note below	29608	
31	2	Bolt, 5/16-18 x 1/2", Nylock, Hex * See note below	10012	
32	1	Pump Handle with Grip	17206A	
33	1	Cycle Counter, LCD w/o Reset	30547	
34	2	Relay, 30/40A SPDT 12V with Internal Diode	35249	
35	1	Cable, Pump Module Power	26082A-4	
36	1	Cable, Lift / Chassis Ground	22166A	
37	1	Wire Assembly, Lift Interlock Connection	31797A	
38	1	Wire Assembly, Lift Stowed Connection ♦	31798A	
39	1	Rubber Boot, Red ♦	82046	
40	1	Control, Hand Pendant Assembly - Non Electronic / Non Shielded - Coiled ♦	36509A	
41	1	Diode Assembly, Up Solenoid	73906A	
42	1	Harness, Lift Power ♦	33688A	
43	3	Washer, #10 Flat	11541	
44	1	Harness, Tower (Pump Side) ✕	37015A	
45	1	Harness, Tower (Opposite Pump Side) ✕	37011A	
46	1	Harness, Stow ✕	36080A	
47	1	Harness, Main	V917-0500A	
48	1	Fuse Kit, 5 Amperes (F1) & 15 Amperes (F2)	36521K	
49	1	Kit, Hydraulic Port Service Cap	27049K	
50	1	Rivet, Snap - Black - .201" x .217/.256"	25973	
51	1	Hose, 1/8" Thermal Plastic ✕ (Raw material ordered and priced per inch - order specified length)	23742R	
52	1	Connector, Plastic Y-1/8" O.D. ✕	18877	

✕ Indicates items not shown.
 * Apply Loctite® Threadlocker Red 271™ or equivalent to the six hex bolts (items 24, 30 & 31) if a blue nylon patch is not present on the bolts when retrofitting an M268-0116 pump assembly.
 ♦ Indicates items available for replacement part purposes only. These items are not included with replacement pump modules.

12 Volt (Except L995) Pump Module Diagram



Front pump module shown, rear pump module is mirror image.

NOTICE
Remove power from pump module and any spark source before working with hydraulic fluid and components. Wear proper eye protection. Use protective gloves for prolonged contact with hydraulic fluid.

NOTICE
Apply Loctite® Threadlocker Red 271™ to the six pump mounting bolts (items 24, 30 & 31) if a blue nylon patch is not present on the bolts when retrofitting an M268 pump assembly.



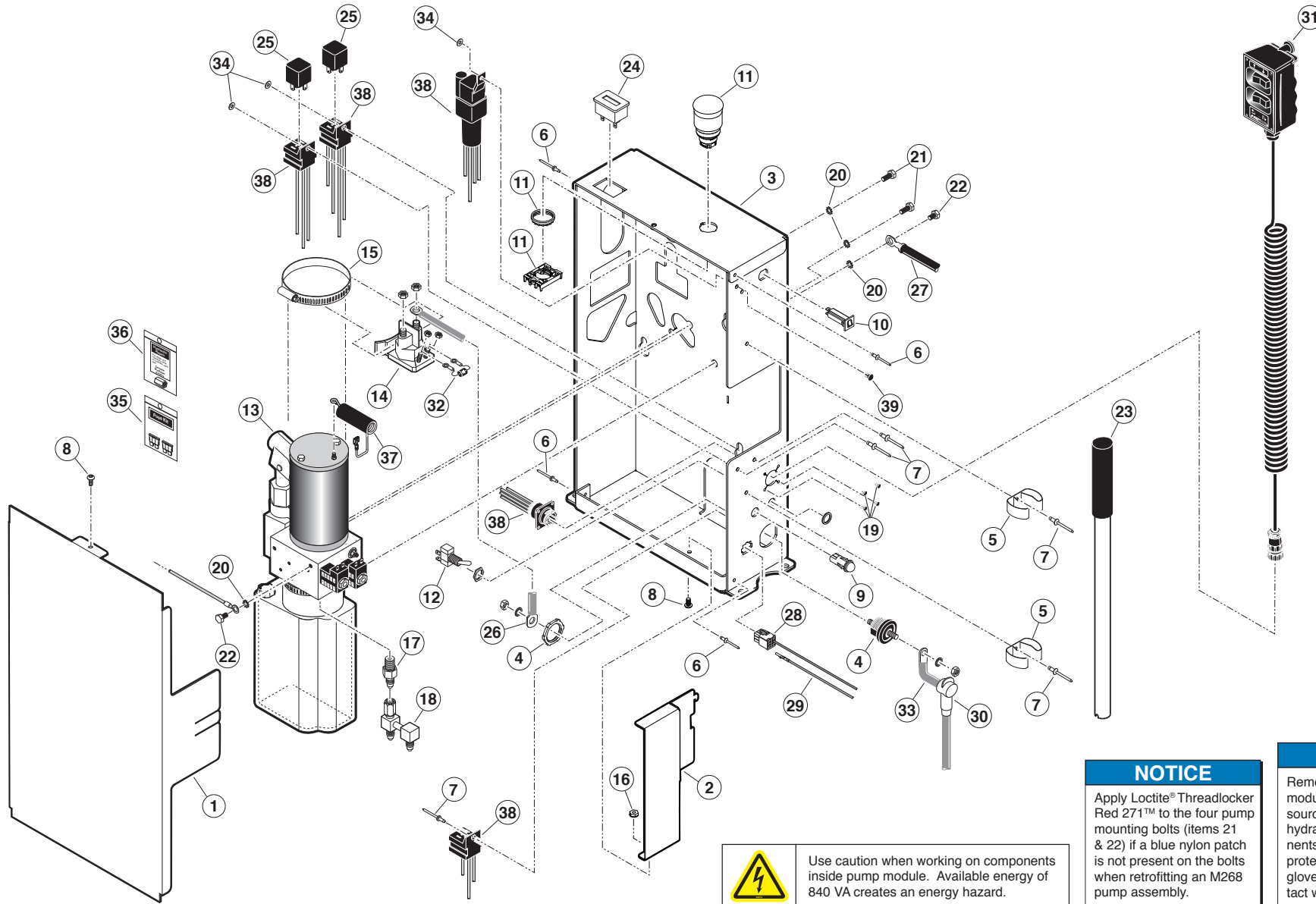
Use caution when working on components inside pump module. Available energy of 840 VA creates an energy hazard.

12 Volt (VL995) Pump Module Parts List

Item	Qty.	Description	Part No.
	1	Pump Module (complete) ✕	V995-0516RA
1	1	Cover, Pump Module	947-2519RN
2	1	Guard, Splash	36377R
3	1	Housing, Pump	991-0513RW
		Housing, Pump Assy (Items 4-13)	991-0513RA
4	1	Stud, Power Feed	26084
5	2	Clamp, Spring - Pump Handle	12350
6	4	Rivet, Pop, SD43BS - 1/8" - .13"/.19"	12954
7	5	Rivet, Pop, SD62BS - 3/16" - .06"/.13"	11512
8	2	Screw, #10-32 x 1/2", BHSC, Auto-Bk	30377
9	1	Diode, Green LED	29545
10	1	Circuit Breaker, Manual Reset - 15 Amperes	35143
11	1	E-Stop Button w/ Retaining Nut	36414-1
12	1	Switch, Toggle w/ Gold Contacts	31787
13	1	Pump Assembly (M268-0116) 12V-120G - Dual Relief (Includes Items 14 & 15)	32858-12V
14	1	Solenoid, Up - 4-Post Trombetta - Angle	35310
15	1	Clamp, Hose - Solenoid Mounting	29663
16	1	Nut, #10-32 w/Lockwasher / Auto-Bk	18349
17	1	Fitting, Male 7/16-20 O-Ring to Male 7/16-20 JIC 37°	24504
18	1	Elbow, Manifold - Female Swivel 7/16-20 JIC 37° to (2) Male 7/16-20 JIC 37°	26579
19	4	Rivet, Snap, .122" Dia. - .158" - .197" Thick	25759
20	4	Washer, 5/16" External Tooth	16368
21	2	Bolt, 5/16-18 x 3/4", Nylock, Hex * See note below	29608
22	2	Bolt, 5/16-18 x 1/2", Nylock, Hex * See note below	10012
23	1	Pump Handle with Grip	17206A
24	1	Cycle Counter, LCD w/o Reset	30547
25	2	Relay, 30/40A SPDT 12V with Internal Diode	35249
26	1	Cable, Pump Module Power	26082A-4
27	1	Cable, Lift / Chassis Ground	22166A
28	1	Wire Assembly, Lift Interlock Connection	31797A
29	1	Wire Assembly, Lift Stowed Connection ♦	31798A
30	1	Rubber Boot, Red ♦	82046
31	1	Control, Hand Pendant Assembly - Non Electronic / Non Shielded - Coiled ♦	36509A
32	1	Diode Assembly, Up Solenoid	73906A
33	1	Harness, Lift Power ♦	33688A
34	3	Washer, #10 Flat	11541
35	1	Fuse Kit, 5 Amperes (F1) & 15 Amperes (F2)	36521K
36	1	Kit, Hydraulic Port Service Cap	27049K
37	1	Inductor Coil Assembly, Public - Intl - Vista -12V	36727A
38	1	Harness, Main	V917-0500A
39	1	Rivet, Snap - Black .201" x .217/.256"	25973
40	1	Harness, Bridge Input ✕	35608RA
41	1	Harness, Extension Lighting ✕	31033A45
42	1	Harness, Extension Lighting ✕	31033A84
43	1	Harness, Tower (Pump Side) ✕	37014A
44	1	Harness, Tower (Opposite Pump Side) ✕	37010A
45	1	Harness, Stow ✕	36080A
46	1	Hose Assy, 1/8" (Opposite Pump Side) ✕	16004A-078
47	1	Hose Assy, 1/8" (Pump Side) ✕	16004A-040
48	1	Hose, 1/8" Thermal Plastic ✕ (Raw material ordered and priced per inch - order specified length)	23742R
49	1	Connector, Plastic Y-1/8" O.D. ✕	18877

✕ Indicates items not shown.
▲ Apply Loctite® Threadlocker Red 271™ to the four pump mounting bolts (items 21 & 22) if a blue nylon patch is not present on the bolts when retrofitting an M268-0118 pump assembly.
♦ Indicates items available for replacement part purposes only. These items are not included with replacement pump modules.

12 Volt (VL995) Pump Module Diagram



Use caution when working on components inside pump module. Available energy of 840 VA creates an energy hazard.

NOTICE
Apply Loctite® Threadlocker Red 271™ to the four pump mounting bolts (items 21 & 22) if a blue nylon patch is not present on the bolts when retrofitting an M268 pump assembly.

NOTICE
Remove power from pump module and any spark source before working with hydraulic fluid and components. Wear proper eye protection. Use protective gloves for prolonged contact with hydraulic fluid.

24 Volt Pump Module Parts List

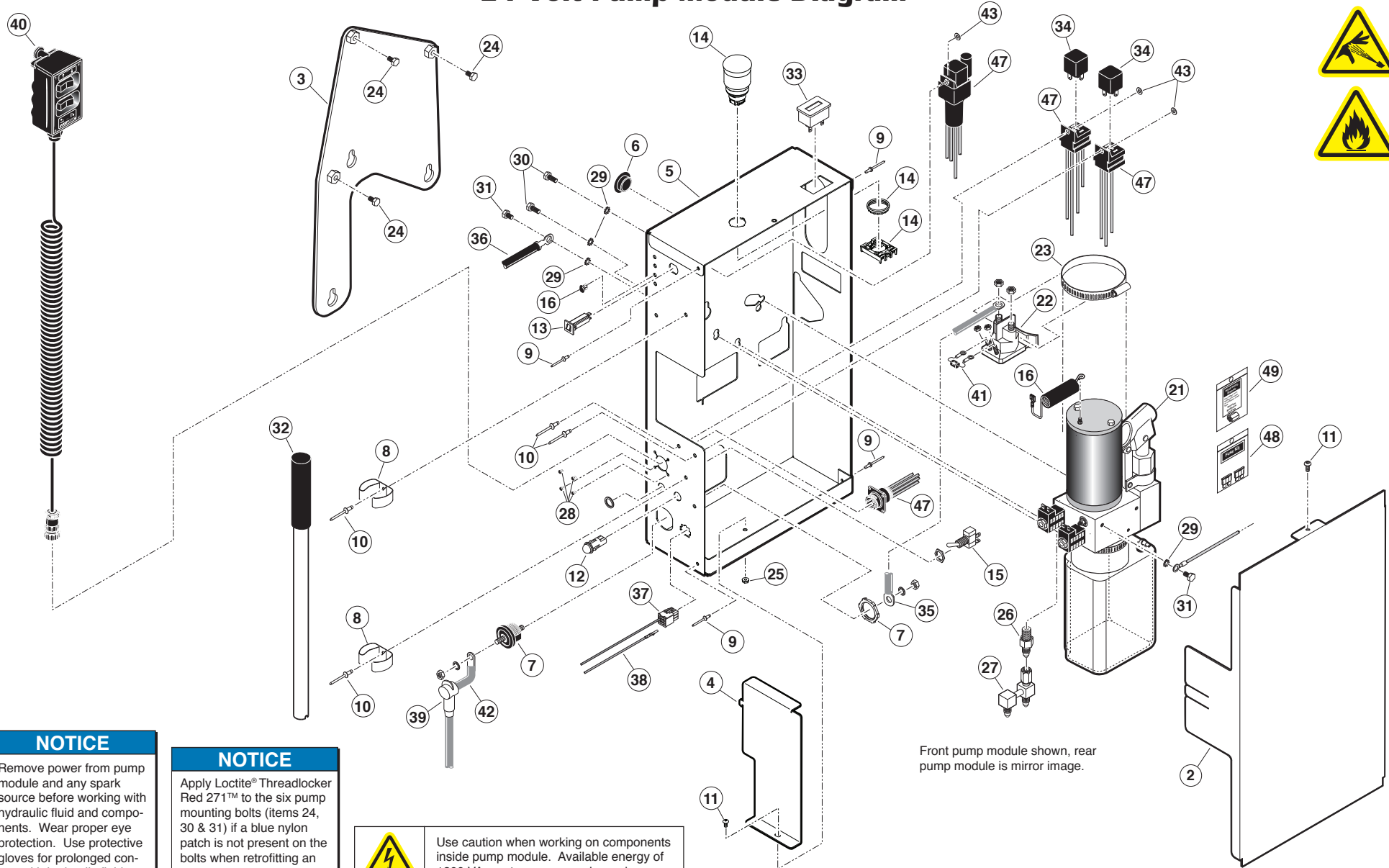
			VL927IB3455RP-2	VL927FIB3455RP-2
Item	Qty.	Description	VL929IBRP-2	VL929FIBRP-2
	1	Pump Module (complete) ✕	V917-0526RARP	V917-0526FARP
1	1	Harness, Bridge Input ✕	35608RA	35608FAXL
2	1	Cover, Pump Module	947-2519RN	947-2519FN
3	1	Weldment, 7.5" RP Adapter Plate	33381RW	33381FW
4	1	Guard, Splash	36377R	36377F
5	1	Housing, Pump	917-0513R	917-0513F
		Housing, Pump Assy (Items 5-15)	917-0513RA	917-0513FA
6	1	Cap, End - Plastic 1" ID x 1 1/4" OD	-	2047
Item	Qty.	Description	Part #	
7	1	Stud, Power Feed	26084	
8	2	Clamp, Spring - Pump Handle	12350	
9	4	Rivet, Pop, SD43BS - 1/8" - .13"/.19"	12954	
10	4	Rivet, Pop, SD62BS - 3/16" - .06"/.13"	11512	
11	2	Screw, #10-32 x 1/2", BHSC, Auto-Bk	30377	
12	1	Diode, Green LED - 24V	29857	
13	1	Circuit Breaker, Manual Reset - 15 Amperes	35143	
14	1	E-Stop Button w/ Nut and Switch Retainer	36414-1	
15	1	Switch, Toggle w/ Gold Contacts	31787	
16	1	Rivet, Snap - Black .201" x .217/.256"	25973	
17	1	Harness, Extension Lighting ✕	31033A61.5	
18	1	Harness, Extension Lighting ✕	31033A103.5	
19	1	Hose Assy, 1/8" (Opposite Pump Side) ✕	16004A-093.5	
20	1	Hose Assy, 1/8" (Pump Side) ✕	16004A-053.5	
21	1	Pump Assembly (M268-0116) 24V-120G - Dual Relief (Includes Items 23 & 24)	32858-24V	
22	1	Solenoid, Up - 4-Post Trombetta - Angle	32930	
23	1	Clamp, Hose - Solenoid Mounting	29663	
24	3	Bolt, 3/8-16 x 1/2" w/Nylock Patch * See note below	29729	
25	1	Nut, #10-32 w/Lockwasher / Auto-Bk	18349	
26	1	Fitting, Male 7/16-20 O-Ring to Male 7/16-20 JIC 37°	24504	
27	1	Elbow, Manifold - Female Swivel 7/16-20 JIC 37° to (2) Male 7/16-20 JIC 37°	26579	
28	4	Rivet, Snap, .122" Dia. - .158" - .197" Thick	25759	
29	4	Washer, 5/16" External Tooth	16368	
30	2	Bolt, 5/16-18 x 3/4", Nylock, Hex * See note below	29608	
31	2	Bolt, 5/16-18 x 1/2", Nylock, Hex * See note below	10012	
32	1	Pump Handle with Grip	17206A	
33	1	Cycle Counter, LCD w/o Reset	30547	
34	2	Relay, 30/40A SPDT 24V with Internal Diode	36081	
35	1	Cable, Pump Module Power	26082A-4	
36	1	Cable, Lift / Chassis Ground	22166A	
37	1	Wire Assembly, Lift Interlock Connection	31797A	
38	1	Wire Assembly, Lift Stowed Connection ♦	31798A	
39	1	Rubber Boot, Red ♦	82046	
40	1	Control, Hand Pendant Assembly - Non Electronic / Non Shielded - Coiled ♦	36509A-24	
41	1	Diode Assembly, Up Solenoid	73906A	
42	1	Harness, Lift Power ♦	33688A	
43	3	Washer, #10 Flat	11541	
44	1	Harness, Tower (Pump Side) ✕	33255ARP	
45	1	Harness, Tower (Opposite Pump Side) ✕	33231ARP	
46	1	Harness, Stow ✕	36080A	
47	1	Harness, Main	V917-0520A	
48	1	Fuse Kit, 5 Amperes (F1) & 15 Amperes (F2)	36521K	
49	1	Kit, Hydraulic Port Service Cap	27049K	
50	1	Inductor Coil Assembly, Public - Intl - Vista -24V	36727A-24V	
51	1	Hose, 1/8" Thermal Plastic ✕ (Raw material ordered and priced per inch - order specified length)	23742R	
52	1	Connector, Plastic Y-1/8" O.D. ✕	18877	

✕ Indicates items not shown.

* Apply Loctite® Threadlocker Red 271™ or equivalent to the six hex bolts (items 24, 30 & 31) if a blue nylon patch is not present on the bolts when retrofitting an M268-0116 pump assembly.


♦ Indicates items available for replacement part purposes only. These items are not included with replacement pump modules.

24 Volt Pump Module Diagram



NOTICE
 Remove power from pump module and any spark source before working with hydraulic fluid and components. Wear proper eye protection. Use protective gloves for prolonged contact with hydraulic fluid.

NOTICE
 Apply Loctite® Threadlocker Red 271™ to the six pump mounting bolts (items 24, 30 & 31) if a blue nylon patch is not present on the bolts when retrofitting an M268 pump assembly.

 Use caution when working on components inside pump module. Available energy of 1200 VA creates an energy hazard.

Front pump module shown, rear pump module is mirror image.

Exploded Views and Parts Lists

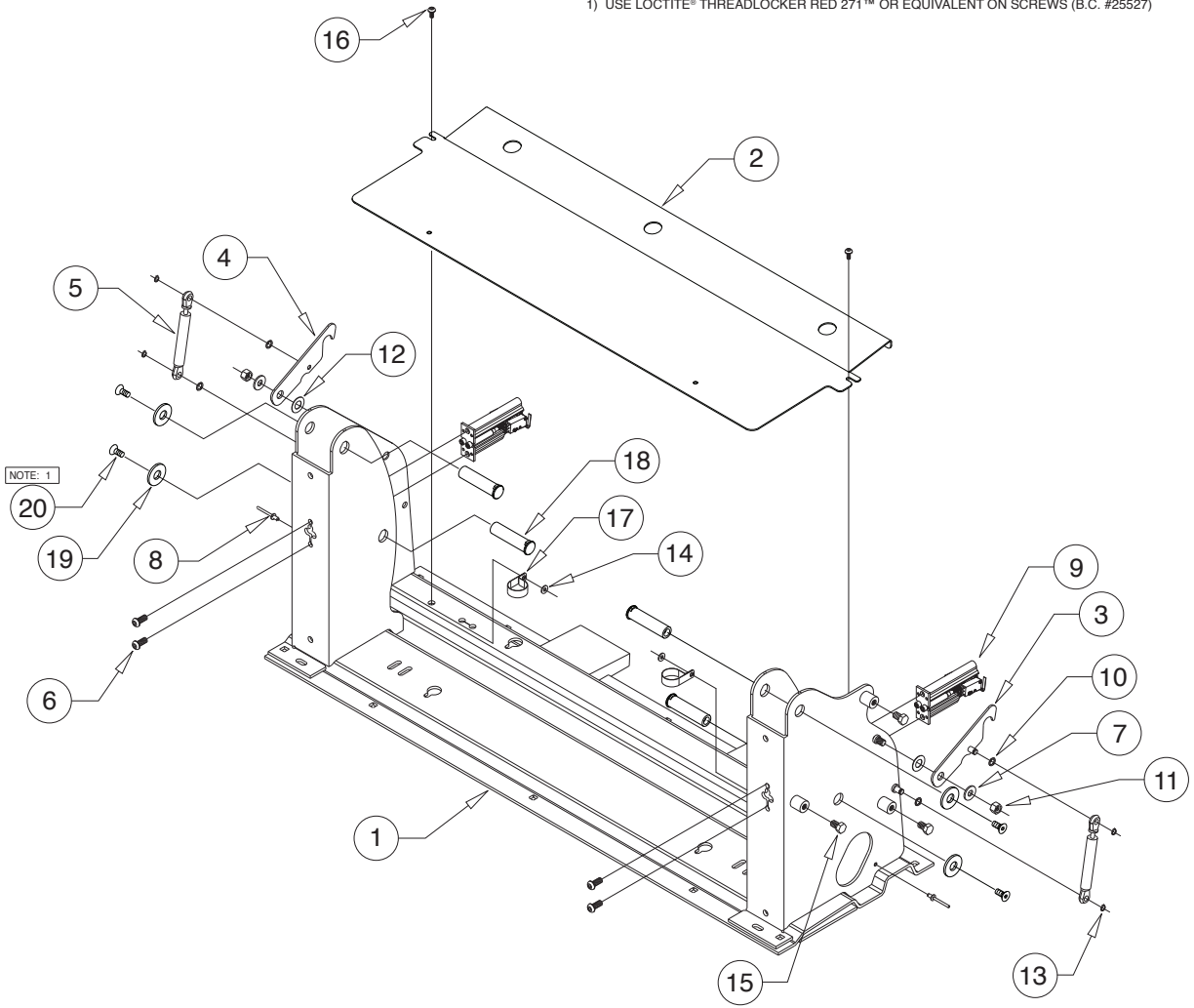
Base Plate Assembly

Applicable Lifts:

- VL917IB3455RP-2
- VL919IBRP-2
- VL927IB3455RP-2
- VL929IBRP-2

NOTICE

1) USE LOCTITE® THREADLOCKER RED 271™ OR EQUIVALENT ON SCREWS (B.C. #25527)



ITEM	QTY.	PART NO.	DESCRIPTION
20	4	25527	SCREW-5/16-18 X 3/4" FHS/AUTO-BK
19	4	25346	WASHER-1/2" FLAT/AUTO BK
18	4	936-0403	PIN-PIVOT PARALLEL ARM
17	2	29765	CLAMP-INSULATED-1 3/8"
16	2	15733	BOLT-1/4-20 X 1/2" BHSC/AUTO-BK
15	3	29729	BOLT-3/8-16 X 1/2" W/NYLOCK PATCH
14	2	11541	WASHER-#10 FLAT/AUTO-BK
13	4	24570	RING-5/16" EXT SNAP/ZINC PLATED
12	2	11913	WASHER-1/2" NYLON
11	2	13617	NUT-3/8-16 UNC HEX LOCK/AUTO-BK
10	4	26614	O-RING 5/16" ID X 1/16"
9	2	975-4121A	MICRO SWITCH ASSY
8	2	14993	RIV-POP-SD66BS-3/16"- .25/.38"/AUTO-BK
7	2	10063	WASHER-5/16" FLAT
6	4	24440	BOLT-5/16-18 X 3/4"-BHSC/AUTO-BK
5	2	26963	SPRING-DAMP 5.67 E/4.291 C,P1=3.37N-RET
4	1	27208RW	WMT-LATCH-LIFT-TITE REAR-RETRO
3	1	27208FW	WMT-LATCH-LIFT-TITE FRONT-RETRO
2	1	917-0149W-34	BASE COVER ASSEMBLY - 34"
1	1	945-3148RNW34	WMT-BASE-REAR/48" FTG

Exploded Views and Parts Lists

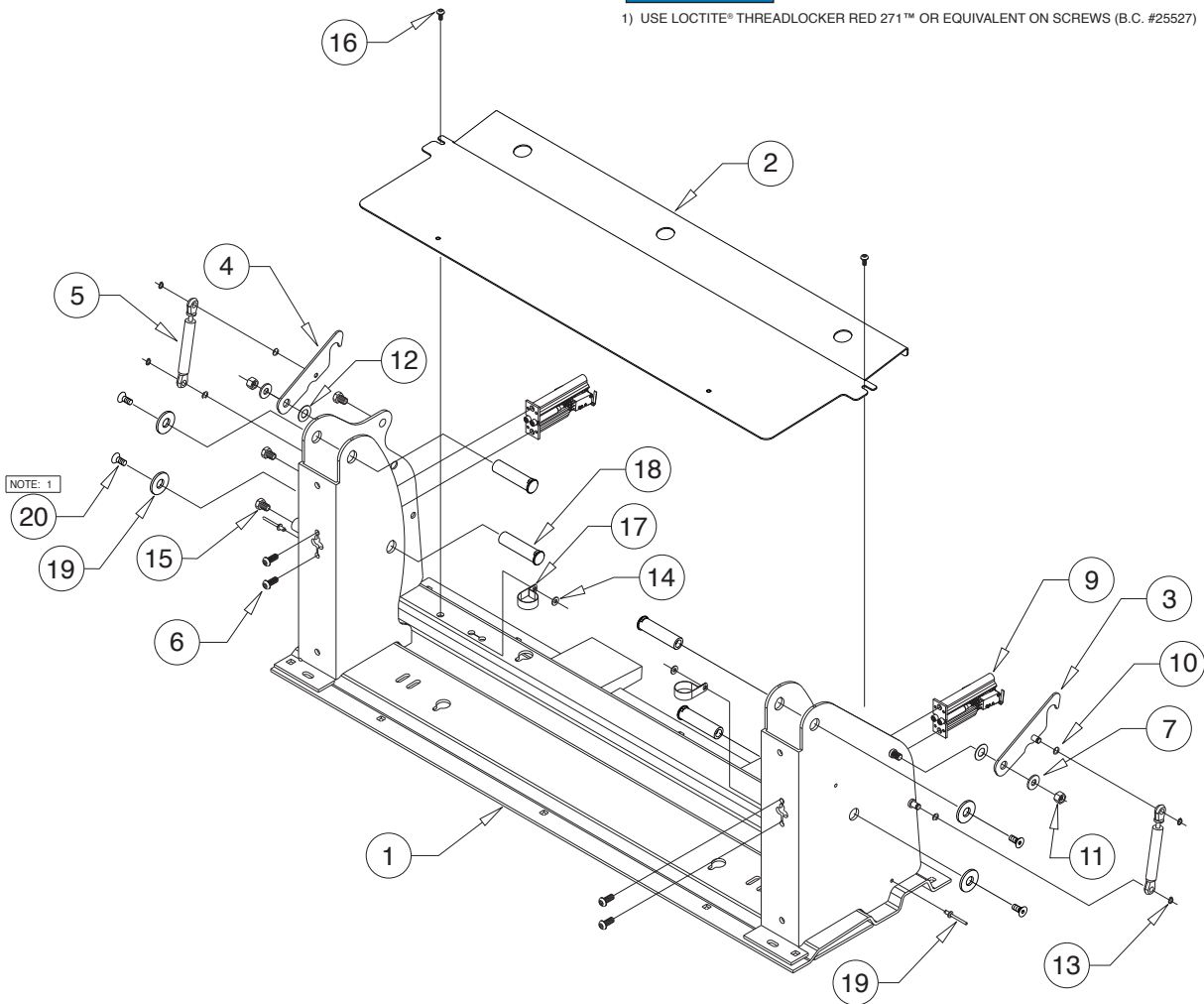
Base Plate Assembly

Applicable Lifts:

VL917FIB3455RP-2
 VL919FIBRP-2
 VL927FIB3455RP-2
 VL929FIBRP-2

NOTICE

1) USE LOCTITE® THREADLOCKER RED 271™ OR EQUIVALENT ON SCREWS (B.C. #25527)



ITEM	QTY.	PART NO.	DESCRIPTION
20	4	25527	SCREW-5/16-18 X 3/4" FHS/AUTO-BK
19	4	25346	WASHER-1/2" FLAT/AUTO BK
18	4	936-0403	PIN-PIVOT PARALLEL ARM
17	2	29765	CLAMP-INSULATED-1 3/8"
16	2	15733	BOLT-1/4-20 X 1 1/2" BHSC/AUTO-BK
15	3	29729	BOLT-3/8-16 X 1 1/2" W/NYLOCK PATCH
14	2	11541	WASHER-#10 FLAT/AUTO-BK
13	4	24570	RING-5/16" EXT SNAP/ZINC PLATED
12	2	11913	WASHER-1/2" NYLON
11	2	13617	NUT-3/8-16 UNC HEX LOCK/AUTO-BK
10	4	26614	O-RING 5/16" ID X 1/16"
9	2	975-4121A	MICRO SWITCH ASSY
8	2	14993	RIV-POP-SD66BS-3/16"-25/.38"/AUTO-BK
7	2	10063	WASHER-5/16" FLAT
6	4	24440	BOLT-5/16-18 X 3/4"-BHSC/AUTO-BK
5	2	26963	SPRING-DAMP 5.67 E/4.291 C,P1=3.37N-RET
4	1	27208RW	WMT-LATCH-LIFT-TITE REAR-RETRO
3	1	27208FW	WMT-LATCH-LIFT-TITE FRONT-RETRO
2	1	917-0149W-34	BASE COVER ASSEMBLY - 34"
1	1	945-3148FNW34	WMT-BASE-FRONT/48" FTG

Exploded Views and Parts Lists

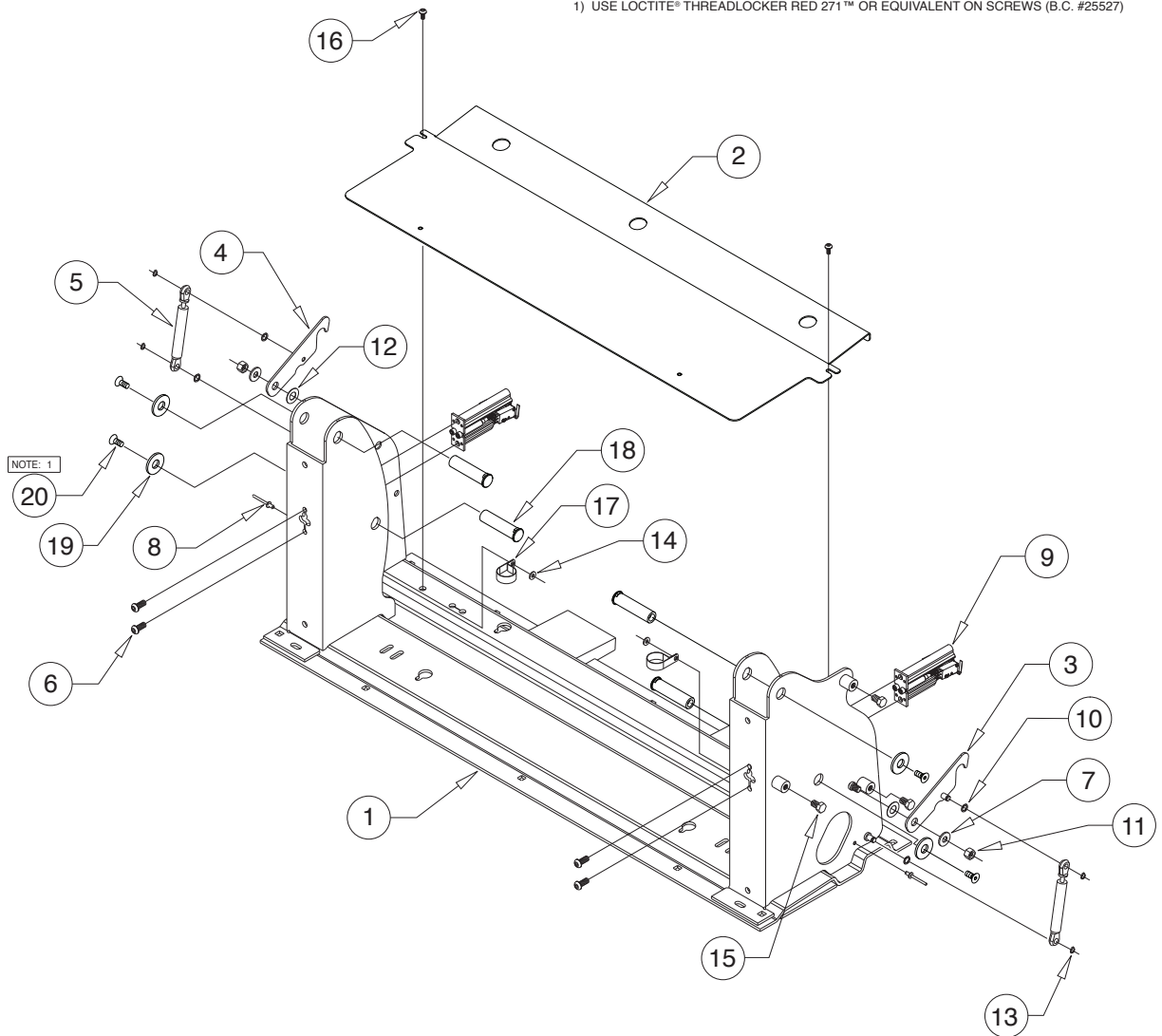
Base Plate Assembly

Applicable Lifts:

VL9181B3444RP-2

NOTICE

1) USE LOCTITE® THREADLOCKER RED 271™ OR EQUIVALENT ON SCREWS (B.C. #25527)



ITEM	QTY.	PART NO.	DESCRIPTION
20	4	25527	SCREW-5/16-18 X 3/4" FHS/AUTO-BK
19	4	25346	WASHER-1/2" FLAT/AUTO BK
18	4	936-0403	PIN-PIVOT PARALLEL ARM
17	2	29765	CLAMP-INSULATED-1 3/8"
16	2	15733	BOLT-1/4-20 X 1/2" BHSC/AUTO-BK
15	3	29729	BOLT-3/8-16 X 1/2" W/NYLOCK PATCH
14	2	11541	WASHER-#10 FLAT/AUTO-BK
13	4	24570	RING-5/16" EXT SNAP/ZINC PLATED
12	2	11913	WASHER-1/2" NYLON
11	2	13617	NUT-3/8-16 UNC HEX LOCK/AUTO-BK
10	4	26614	O-RING 5/16" ID X 1/16"
9	2	975-4121A	MICRO SWITCH ASSY
8	2	14993	RIV-POP-SD66BS-3/16"-.25/.38"/AUTO-BK
7	2	10063	WASHER-5/16" FLAT
6	4	24440	BOLT-5/16-18 X 3/4"-BHSC/AUTO-BK
5	2	26963	SPRING-DAMP 5.67 E/4.291 C,P1=3.37N-RET
4	1	27208RW	WMT-LATCH-LIFT-TITE REAR-RETRO
3	1	27208FW	WMT-LATCH-LIFT-TITE FRONT-RETRO
2	1	917-0149W-34	BASE COVER ASSEMBLY - 34"
1	1	956-0142RNW34	WMT-BASE-REAR/42" FTG

Exploded Views and Parts Lists

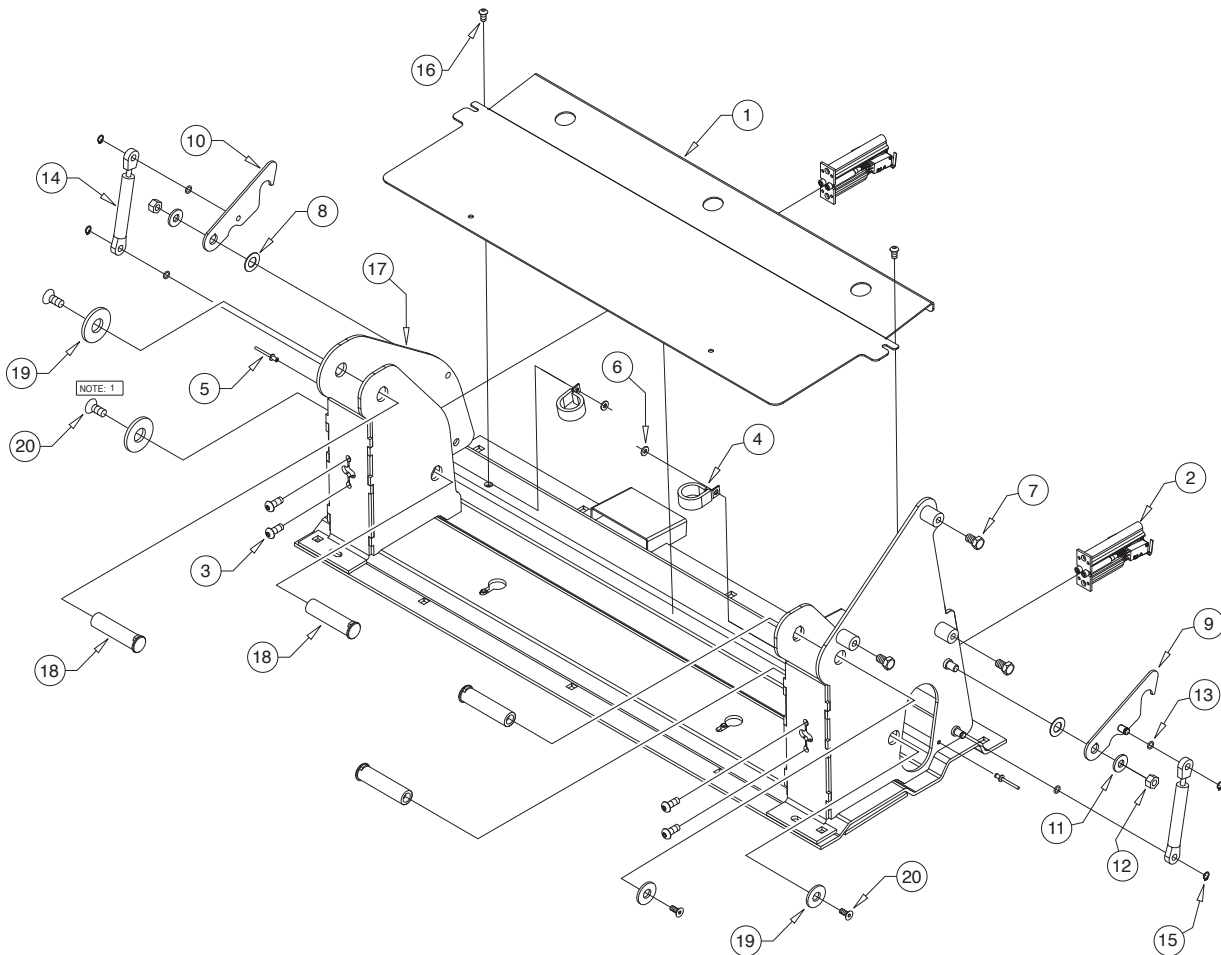
Base Plate Assembly

Applicable Lift:

VL995IB2740-2

NOTICE

1) APPLY LOCTITE® THREADLOCKER RED 271™ OR EQUIVALENT TO ALL #25527 SCREWS.



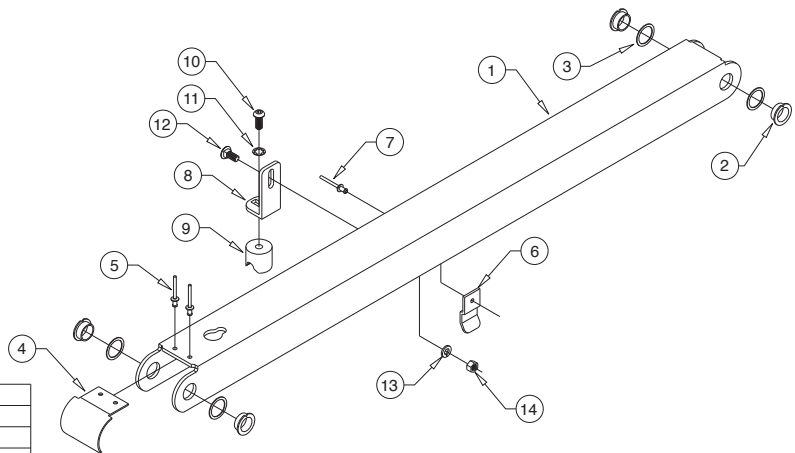
ITEM	QTY.	PART NO.	DESCRIPTION
20	4	25527	SCREW-5/16-18 X 3/4" FHS/AUTO-BK
19	4	25346	WASHER-1/2" FLAT/AUTO-BK
18	4	936-0403	PIN-PIVOT PARALLEL
17	1	991-0142RW27	WMT-BASE-REAR-26/FTG
16	2	15733	BOLT-1/4-20 X 1/2 BUT HD SOC/AUTO-BK
15	4	24570	RING-5/16 EXT SNAP/ZINC PLATED
14	2	26936	SPRING-DAMP5.67 E/4.291 C,P1=3.37N-RET
13	4	26614	O RING-5/16ID X 1/16
12	2	13617	NUT-3/8-16 UNC HEX LOCK/AUTO-BK
11	2	10063	WASHER-5/16 FLAT
10	1	27013RW	WMT-LATCH-LIFT-TITE REAR-RETRO
9	1	27013FW	WMT-LATCH-LIFT-TITE FRONT-RETRO
8	2	11913	WASHER-1/2" NYLON
7	3	29729	BOLT-3/8-16 X 1/2 W/NYLOCK PATCH
6	2	11541	WASHER-#10 FLAT/AUTO-BK
5	2	14993	RIV-POP-SD66BS-3/16"- .25/.38/AUTO-BK
4	2	29765	CLAMP-INSULATE 1 3/8"
3	4	24440	BOLT-5/16-18 X 3/4-BHSC/AUTO-BK
2	2	975-4121A	MICRO SWITCH ASSY.
1	1	917-0149W-27	WMT-BASE-COVER-2 INTERNATIONAL-27"

Exploded Views and Parts Lists

Top Parallel Arm Assembly - Front

Applicable Lifts:

- VL917IB3455RP-2
- VL917FIB3455RP-2
- VL919IBRP-2
- VL919FIBRP-2
- VL927IB3455RP-2
- VL927FIB3455RP-2
- VL929IBRP-2
- VL929FIBRP-2

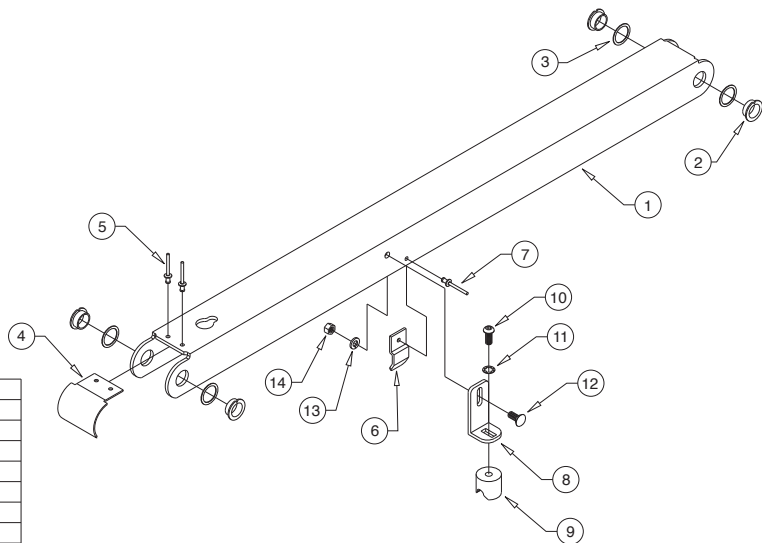


ITEM	QTY.	PART NO.	DESCRIPTION
14	1	10058	NUT-5/16-18 HEX/AUTO-BK
13	1	10068	WASHER-5/16" LOCK/AUTO-BK
12	1	15858BK	BOLT-CARR 5/16-18 X 3/4/AUTO-BK
11	1	16368	WASHER-5/16" EXTERNAL TOOTH
10	1	24440	BOLT-5/16-18 X 3/4-BHSC/AUTO-BK
9	1	28593A	ASSY-BLOCK-GUIDE-PLATFORM-STOW
8	1	955-2392CLXT	BKT-QUIET-RIDE MTG.-955
7	1	14993	RIV-POP-SD66BS-3/16".25/.38/AUTO-BK
6	1	915-0703	BRACKET-INNER SIDE PANEL GUIDE
5	2	11513	RIV-POP-SD64BS-3/16".13/.25/AUTO-BK
4	1	945-0450	CAP-PARALLEL ARM
3	4	34398	WASHER-0.906"ID X 1.25"OD X .075"TH/ZINC
2	4	24011	BEARING-FLANGE-3/4" X 3/8"-12FDU06
1	1	945-3419FNA	ARM-PARALLEL/TOP-FRONT (Incl. Items 1-14)

Top Parallel Arm Assembly - Rear

Applicable Lifts:

- VL917IB3455RP-2
- VL917FIB3455RP-2
- VL919IBRP-2
- VL919FIBRP-2
- VL927IB3455RP-2
- VL927FIB3455RP-2
- VL929IBRP-2
- VL929FIBRP-2

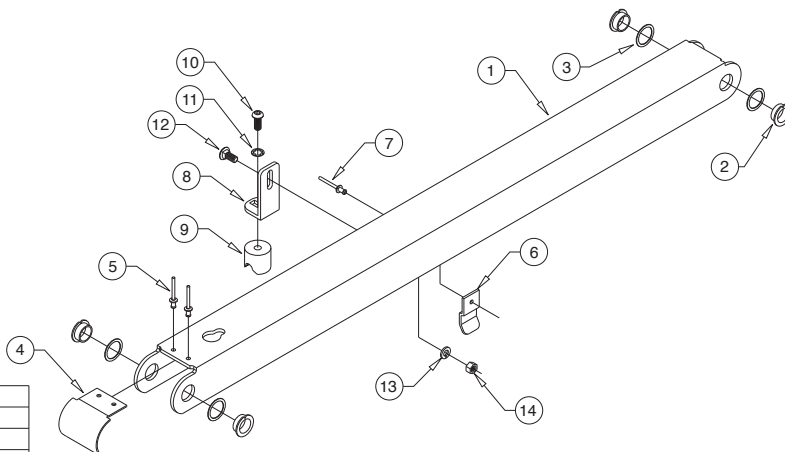


ITEM	QTY.	PART NO.	DESCRIPTION
14	1	10058	NUT-5/16-18 HEX/AUTO-BK
13	1	10068	WASHER-5/16" LOCK/AUTO-BK
12	1	15858BK	BOLT-CARR 5/16-18 X 3/4/AUTO-BK
11	1	16368	WASHER-5/16" EXTERNAL TOOTH
10	1	24440	BOLT-5/16-18 X 3/4-BHSC/AUTO-BK
9	1	28593A	ASSY-BLOCK-GUIDE-PLATFORM-STOW
8	1	955-2392CLXT	BKT-QUIET-RIDE MTG.-955
7	1	14993	RIV-POP-SD66BS-3/16".25/.38/AUTO-BK
6	1	915-0703	BRACKET-INNER SIDE PANEL GUIDE
5	2	11513	RIV-POP-SD64BS-3/16".13/.25/AUTO-BK
4	1	945-0450	CAP-PARALLEL ARM
3	4	34398	WASHER-0.906"ID X 1.25"OD X .075"TH/ZINC
2	4	24011	BEARING-FLANGE-3/4" X 3/8"-12FDU06
1	1	945-3419RNA	ARM-PARALLEL/TOP/48" FTG/R (Incl. Items 1-14)

Exploded Views and Parts Lists

Top Parallel Arm Assembly - Front

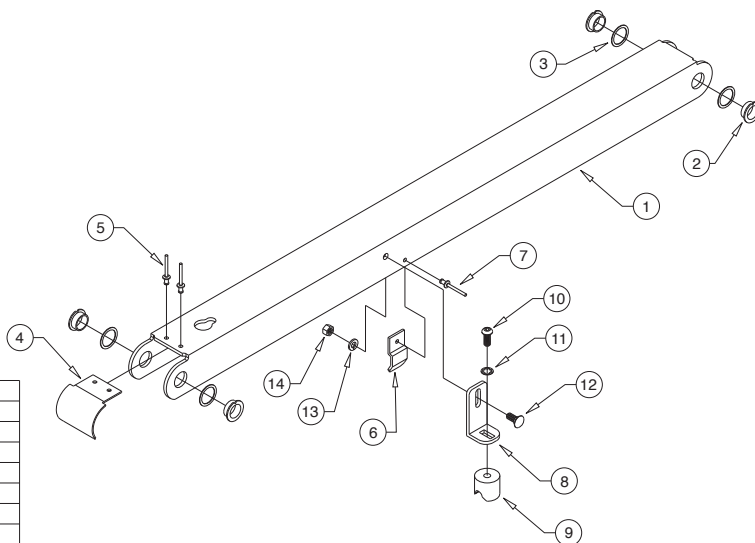
Applicable Lift:
VL918IB3444RP-2



ITEM	QTY.	PART NO.	DESCRIPTION
14	1	10058	NUT-5/16-18 HEX/AUTO-BK
13	1	10068	WASHER-5/16" LOCK/AUTO-BK
12	1	15858BK	BOLT-CARR 5/16-18 X 3/4/AUTO-BK
11	1	16368	WASHER-5/16" EXTERNAL TOOTH
10	1	24440	BOLT-5/16-18 X 3/4-BHSC/AUTO-BK
9	1	28593A	ASSY-BLOCK-GUIDE-PLATFORM-STOW
8	1	955-2392CLXT	BKT.-QUIET-RIDE MTG.-955
7	1	14993	RIV-POP-SD66BS-3/16"-.25/38/AUTO-BK
6	1	915-0703	BRACKET-INNER SIDE PANEL GUIDE
5	2	11513	RIV-POP-SD64BS-3/16"-.13/25/AUTO-BK
4	1	945-0450	CAP-PARALLEL ARM
3	4	34398	WASHER-0.906"ID X 1.25"OD X .075"TH/ZINC
2	4	24011	BEARING-FLANGE-3/4" X 3/8"-12FDU06
1	1	956-3419FNA	ARM-PARALLEL/TOP/42"-FRONT (Incl. Items 1-14)

Top Parallel Arm Assembly - Rear

Applicable Lift:
VL918IB3444RP-2



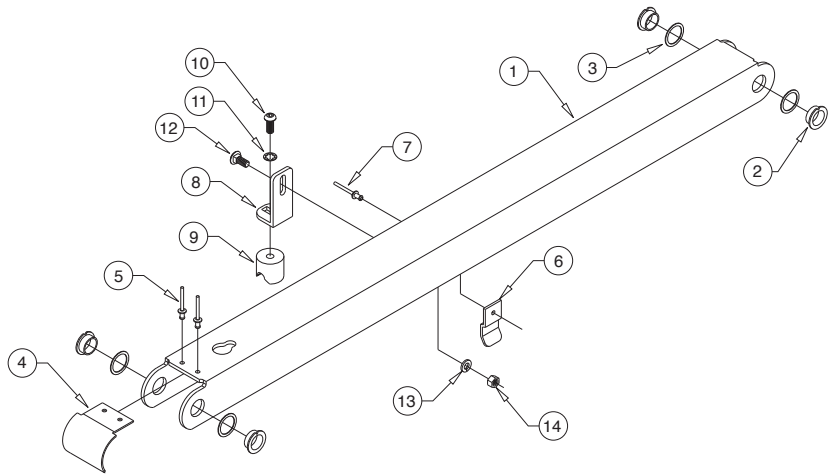
ITEM	QTY.	PART NO.	DESCRIPTION
14	1	10058	NUT-5/16-18 HEX/AUTO-BK
13	1	10068	WASHER-5/16" LOCK/AUTO-BK
12	1	15858BK	BOLT-CARR 5/16-18 X 3/4/AUTO-BK
11	1	16368	WASHER-5/16" EXTERNAL TOOTH
10	1	24440	BOLT-5/16-18 X 3/4-BHSC/AUTO-BK
9	1	28593A	ASSY-BLOCK-GUIDE-PLATFORM-STOW
8	1	955-2392CLXT	BKT.-QUIET-RIDE MTG.-955
7	1	14993	RIV-POP-SD66BS-3/16"-.25/38/AUTO-BK
6	1	915-0703	BRACKET-INNER SIDE PANEL GUIDE
5	2	11513	RIV-POP-SD64BS-3/16"-.13/25/AUTO-BK
4	1	945-0450	CAP-PARALLEL ARM
3	4	34398	WASHER-0.906"ID X 1.25"OD X .075"TH/ZINC
2	4	24011	BEARING-FLANGE-3/4" X 3/8"-12FDU06
1	1	956-3419RNA	ARM-PARALLEL/TOP/42" REAR (Incl. Items 1-14)

Exploded Views and Parts Lists

Top Parallel Arm Assembly - Front

Applicable Lift:

VL995IB2740-2

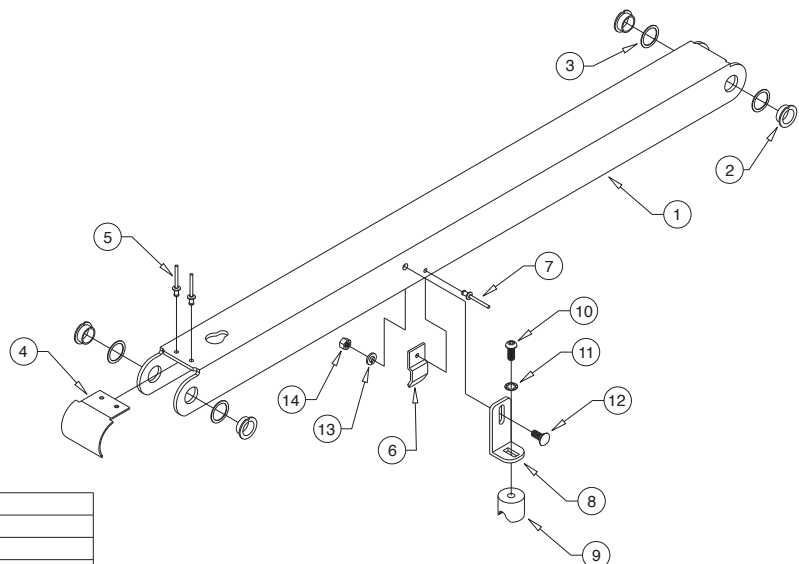


ITEM	QTY.	PART NO.	DESCRIPTION
14	1	10058	NUT-5/16-18 HEX/AUTO-BK
13	1	10068	WASHER-5/16" LOCK/AUTO-BK
12	1	15858BK	BOLT-CARR 5/16-18 X 3/4/AUTO-BK
11	1	16368	WASHER-5/16" EXTERNAL TOOTH
10	1	24440	BOLT-5/16-18 X 3/4-BHSC/AUTO-BK
9	1	28593A	ASSY-BLOCK-GUIDE-PLATFORM-STOW
8	1	955-2392CLXT	BKT-QUIET-RIDE MTG-.955
7	1	14993	RIV-POP-SD66BS-3/16".25/.38/AUTO-BK
6	1	915-0703	BRACKET-INNER SIDE PANEL GUIDE
5	2	11513	RIV-POP-SD64BS-3/16".13/.25/AUTO-BK
4	1	945-0450	CAP-PARALLEL ARM
3	4	34398	WASHER-0.906"ID X 1.25"OD X .075"TH/ZINC
2	4	24011	BEARING-FLANGE-3/4" X 3/8"-12FDU06
1	1	991-0401FA	ARM-PARALLEL/TOP-FRONT (Incl. Items 1-14)

Top Parallel Arm Assembly - Rear

Applicable Lift:

VL995IB2740-2



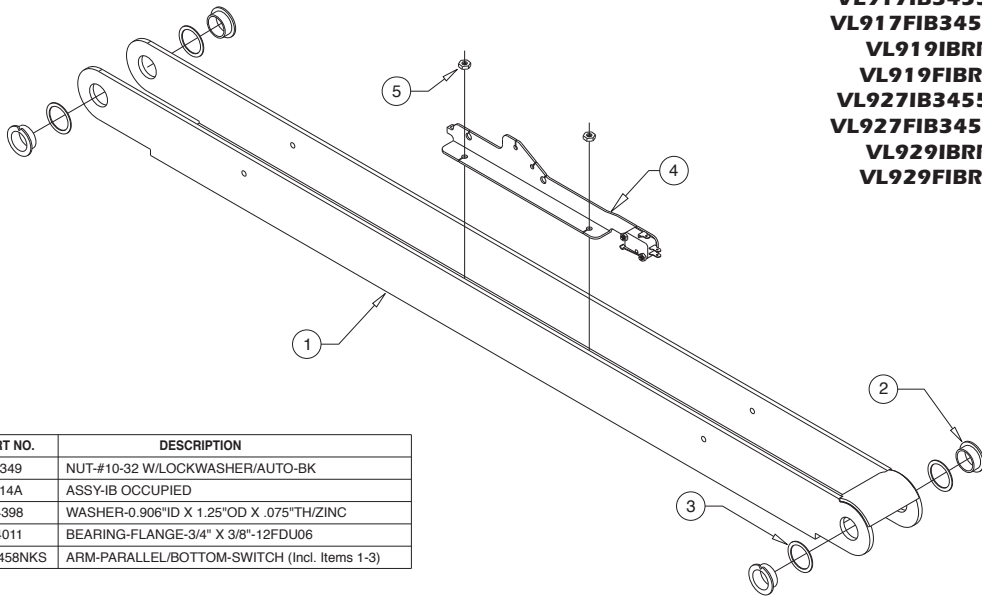
ITEM	QTY.	PART NO.	DESCRIPTION
14	1	10058	NUT-5/16-18 HEX/AUTO-BK
13	1	10068	WASHER-5/16" LOCK/AUTO-BK
12	1	15858BK	BOLT-CARR 5/16-18 X 3/4/AUTO-BK
11	1	16368	WASHER-5/16" EXTERNAL TOOTH
10	1	24440	BOLT-5/16-18 X 3/4-BHSC/AUTO-BK
9	1	28593A	ASSY-BLOCK-GUIDE-PLATFORM-STOW
8	1	955-2392CLXT	BKT-QUIET-RIDE MTG-.955
7	1	14993	RIV-POP-SD66BS-3/16".25/.38/AUTO-BK
6	1	915-0703	BRACKET-INNER SIDE PANEL GUIDE
5	2	11513	RIV-POP-SD64BS-3/16".13/.25/AUTO-BK
4	1	945-0450	CAP-PARALLEL ARM
3	4	34398	WASHER-0.906"ID X 1.25"OD X .075"TH/ZINC
2	4	24011	BEARING-FLANGE-3/4" X 3/8"-12FDU06
1	1	991-0401RA	ARM-PARALLEL/TOP-REAR (Incl. Items 1-14)

Exploded Views and Parts Lists

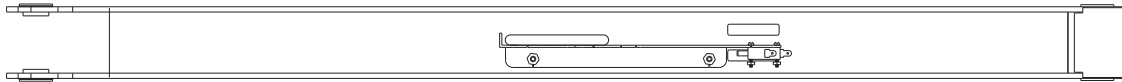
Bottom Parallel Arm Assembly - Pump Side

Applicable Lifts:

- VL917IB3455RP-2
- VL917FIB3455RP-2
- VL919IBRP-2
- VL919FIBRP-2
- VL927IB3455RP-2
- VL927FIB3455RP-2
- VL929IBRP-2
- VL929FIBRP-2



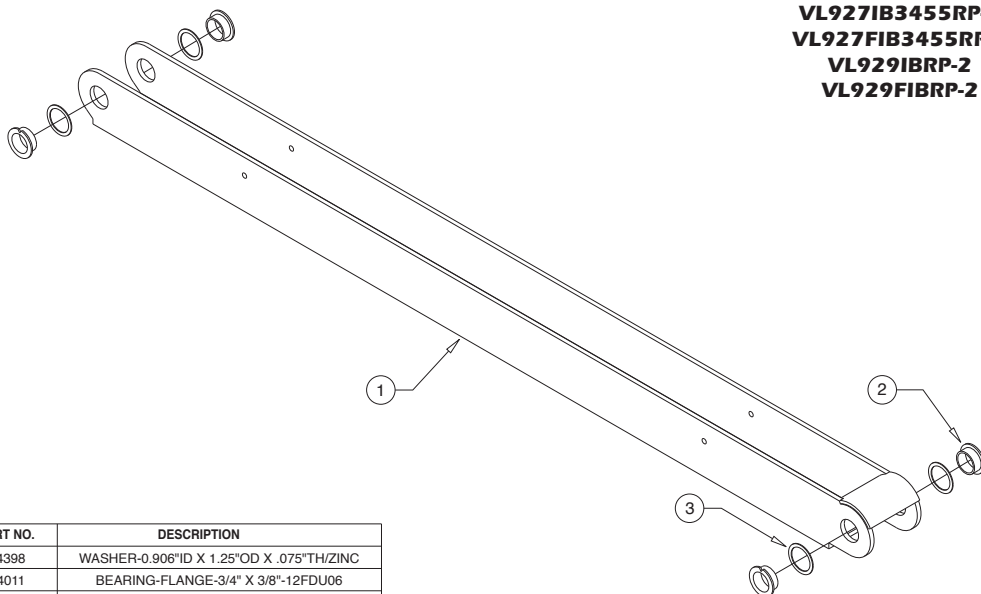
ITEM	QTY.	PART NO.	DESCRIPTION
5	2	18349	NUT-#10-32 W/LOCKWASHER/AUTO-BK
4	1	32514A	ASSY-IB OCCUPIED
3	4	34398	WASHER-0.906"ID X 1.25"OD X .075"TH/ZINC
2	4	24011	BEARING-FLANGE-3/4" X 3/8"-12FDU06
1	1	945-3458NKS	ARM-PARALLEL/BOTTOM-SWITCH (Incl. Items 1-3)



Bottom Parallel Arm Assembly - Opposite Pump Side

Applicable Lifts:

- VL917IB3455RP-2
- VL917FIB3455RP-2
- VL919IBRP-2
- VL919FIBRP-2
- VL927IB3455RP-2
- VL927FIB3455RP-2
- VL929IBRP-2
- VL929FIBRP-2



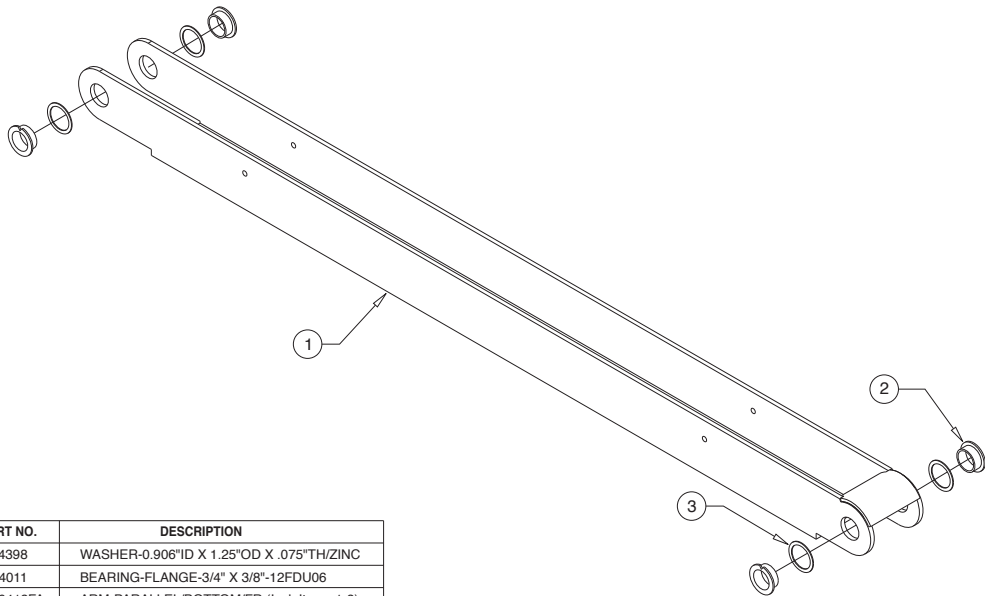
ITEM	QTY.	PART NO.	DESCRIPTION
3	4	34398	WASHER-0.906"ID X 1.25"OD X .075"TH/ZINC
2	4	24011	BEARING-FLANGE-3/4" X 3/8"-12FDU06
1	1	945-3412NA	ARM-PARALLEL/BOTTOM (Incl. Items 1-3)

Exploded Views and Parts Lists

Bottom Parallel Arm Assembly - Pump Side

Applicable Lift:

VL918IB3444RP-2

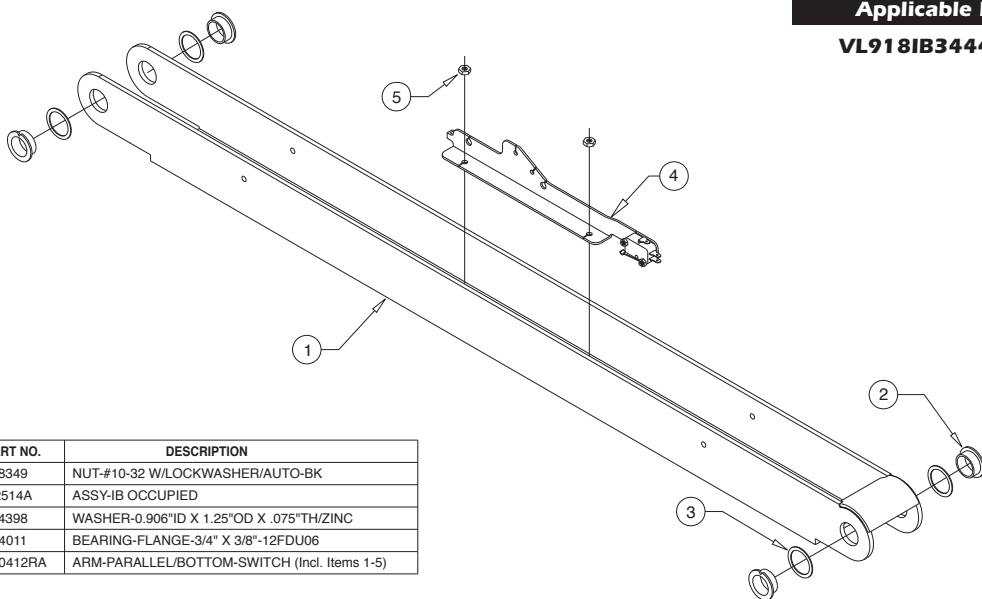


ITEM	QTY.	PART NO.	DESCRIPTION
3	4	34398	WASHER-0.906"ID X 1.25"OD X .075"TH/ZINC
2	4	24011	BEARING-FLANGE-3/4" X 3/8"-12FDU06
1	1	994-0412FA	ARM-PARALLEL/BOTTOM/FR (Incl. Items 1-3)

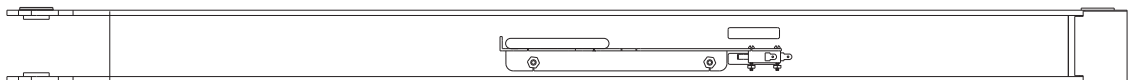
Bottom Parallel Arm Assembly - Opposite Pump Side

Applicable Lift:

VL918IB3444RP-2



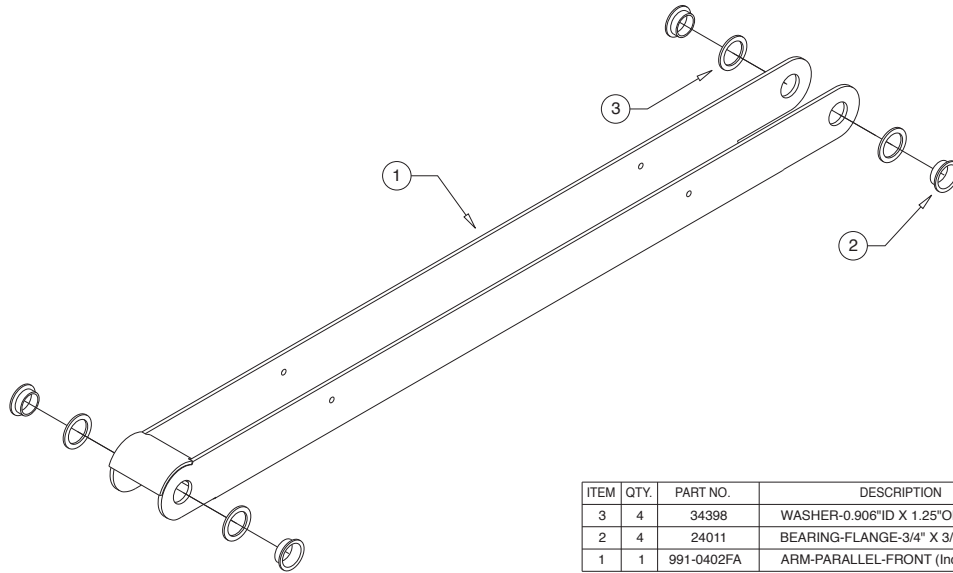
ITEM	QTY.	PART NO.	DESCRIPTION
5	2	18349	NUT-#10-32 W/LOCKWASHER/AUTO-BK
4	1	32514A	ASSY-IB OCCUPIED
3	4	34398	WASHER-0.906"ID X 1.25"OD X .075"TH/ZINC
2	4	24011	BEARING-FLANGE-3/4" X 3/8"-12FDU06
1	1	994-0412RA	ARM-PARALLEL/BOTTOM-SWITCH (Incl. Items 1-5)



Exploded Views and Parts Lists

Bottom Parallel Arm Assembly - Pump Side

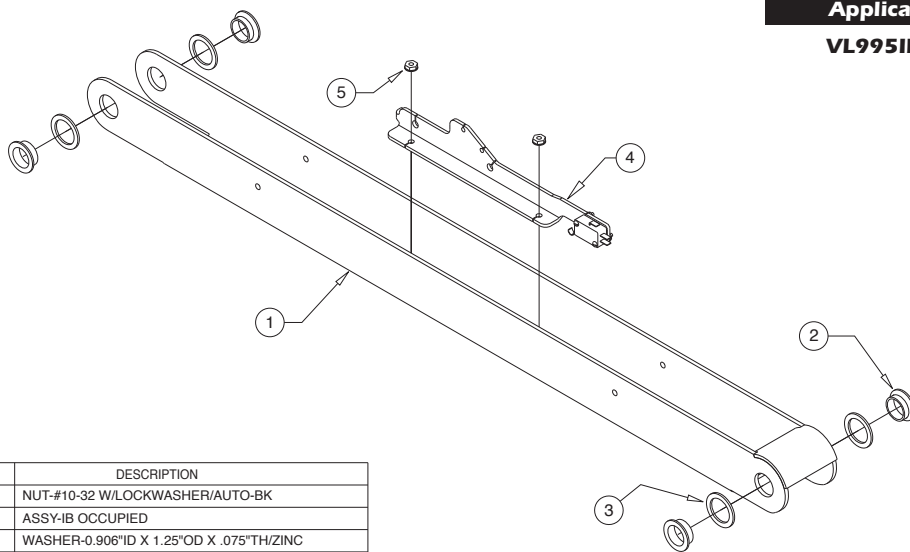
Applicable Lift:
VL995IB2740-2



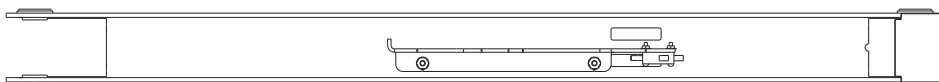
ITEM	QTY.	PART NO.	DESCRIPTION
3	4	34398	WASHER-0.906"ID X 1.25"OD X .075"TH/ZINC
2	4	24011	BEARING-FLANGE-3/4" X 3/8"-12FDU06
1	1	991-0402FA	ARM-PARALLEL-FRONT (Incl. Items 1-3)

Bottom Parallel Arm Assembly - Opposite Pump Side

Applicable Lift:
VL995IB2740-2



ITEM	QTY.	PART NO.	DESCRIPTION
5	2	18349	NUT-#10-32 W/LOCKWASHER/AUTO-BK
4	1	32514A	ASSY-IB OCCUPIED
3	4	34398	WASHER-0.906"ID X 1.25"OD X .075"TH/ZINC
2	4	24011	BEARING-FLANGE-3/4" X 3/8"-12FDU06
1	1	991-0402RA	ARM-PARALLEL/BOTTOM-REAR (Incl. Items 1-5)

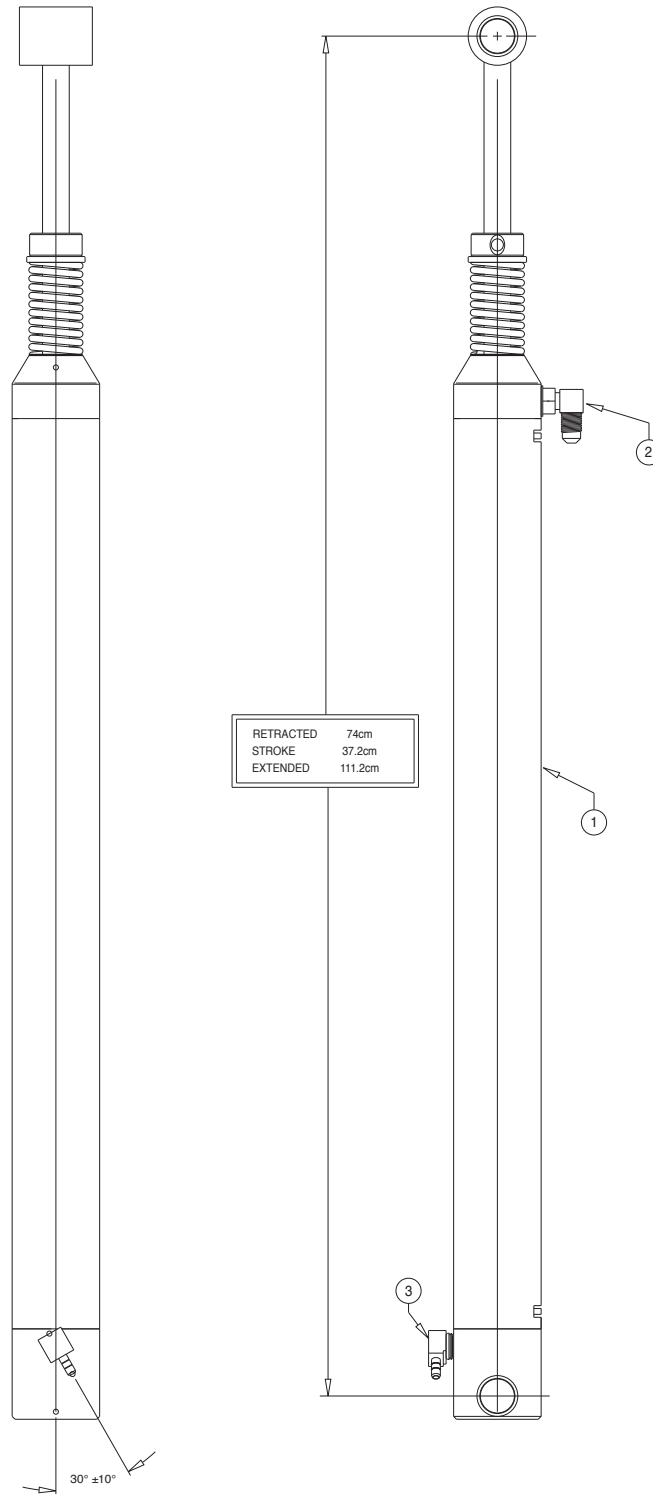


Exploded Views and Parts Lists

Hydraulic Cylinder Assembly

Applicable Lifts:

VL917IB3455RP-2
VL917FIB3455RP-2
VL919IBRP-2
VL919FIBRP-2
VL927IB3455RP-2
VL927FIB3455RP-2
VL929IBRP-2
VL929FIBRP-2

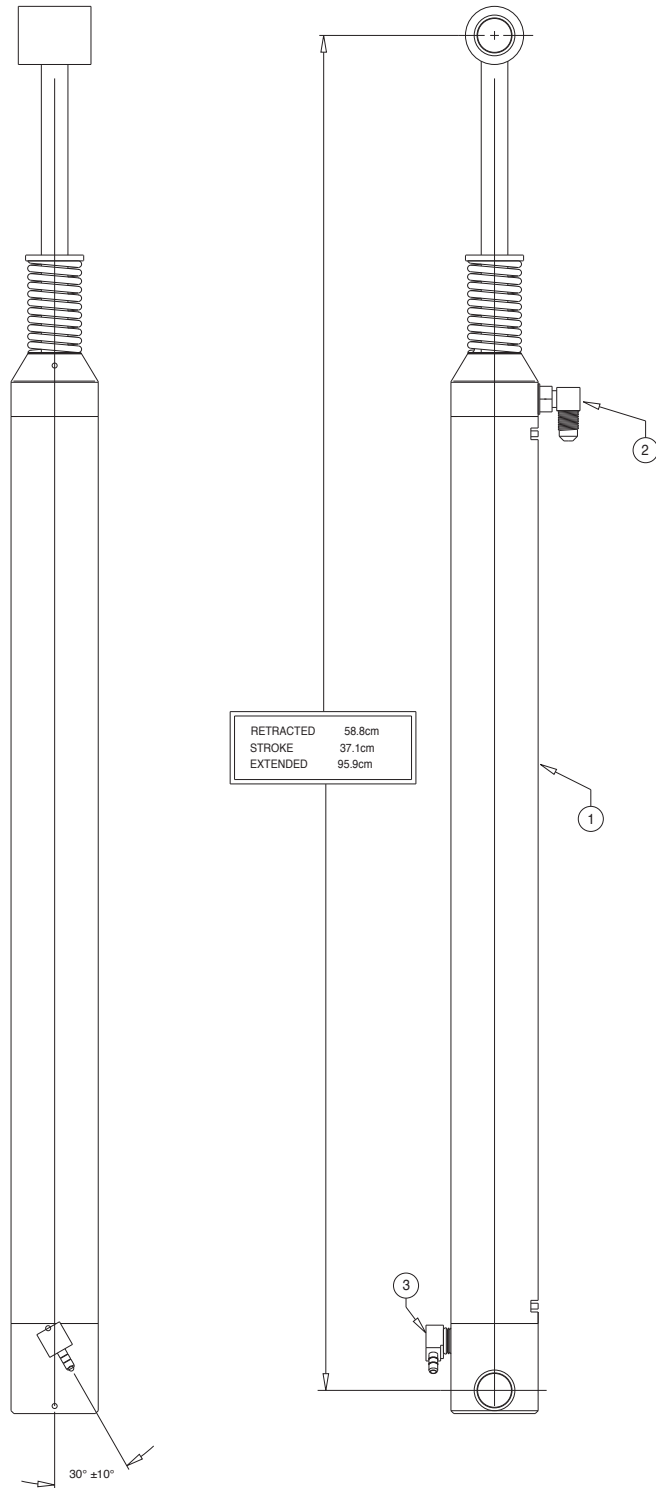


ITEM	QTY.	PART NO.	DESCRIPTION
3	1	15150	ELBOW-1/4 NPT 90° 1/4 BARB
2	1	26667	ELBOW-7/16-20 M/O-RNG/37*/.035 ORFICE
1	1	C1514.3-0408N	CYLINDER-14.625"/29.146 RETRACTED

Exploded Views and Parts Lists

Hydraulic Cylinder Assembly

Applicable Lift:
VL918IB3444RP-2



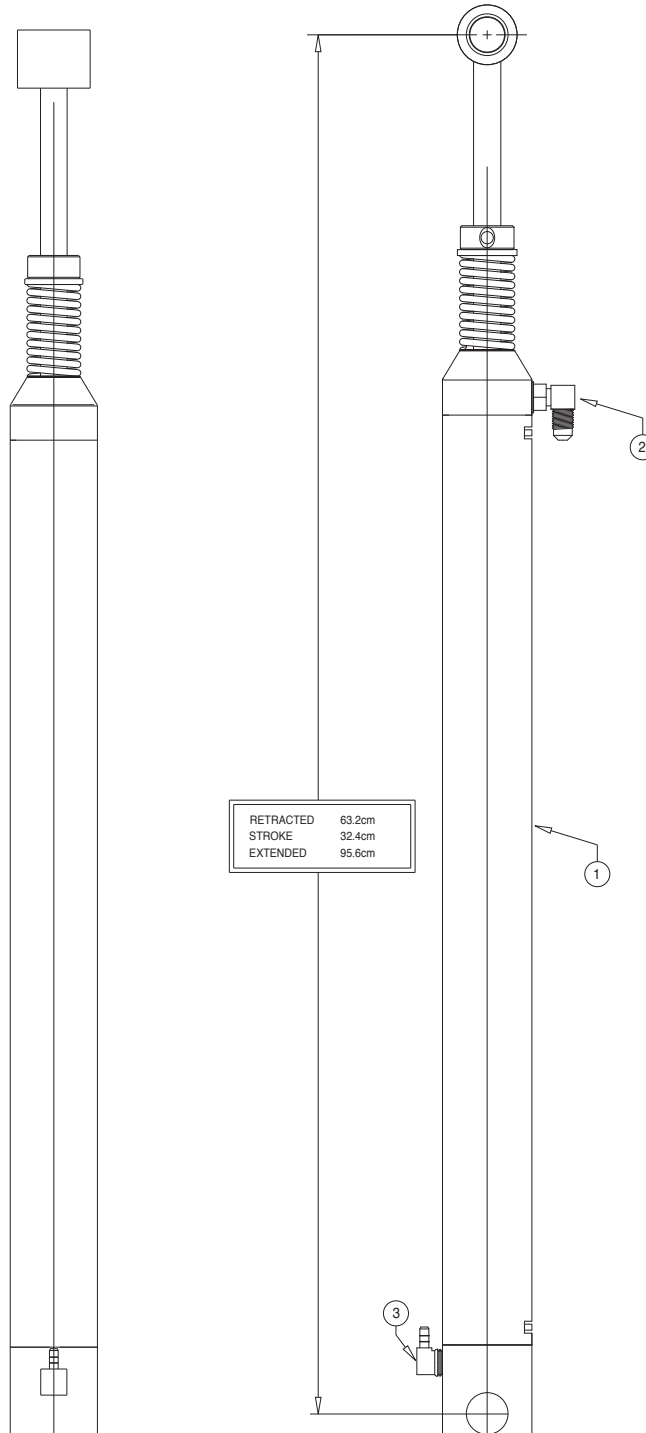
ITEM	QTY.	PART NO.	DESCRIPTION
3	1	15150	ELBOW-1/4 NPT 90° 1/4 BARB
2	1	26667	ELBOW-7/16-20 M/O-RNG/37°.035 ORFICE
1	1	C1514.3-0407N	CYLINDER-14.625"/23.146 RETRACTED

Exploded Views and Parts Lists

Hydraulic Cylinder Assembly

Applicable Lift:

VL9951B2740-2



ITEM	QTY.	PART NO.	DESCRIPTION
3	1	15150	ELBOW-1/4 NPT 90° 1/4 BARB
2	1	26667	ELBOW-7/16-20 M/O-RNG/37*.035 ORFICE
1	1	C1512.8-0408LT	CYLINDER-12.750"/24.883 RETRACTED

Exploded Views and Parts Lists

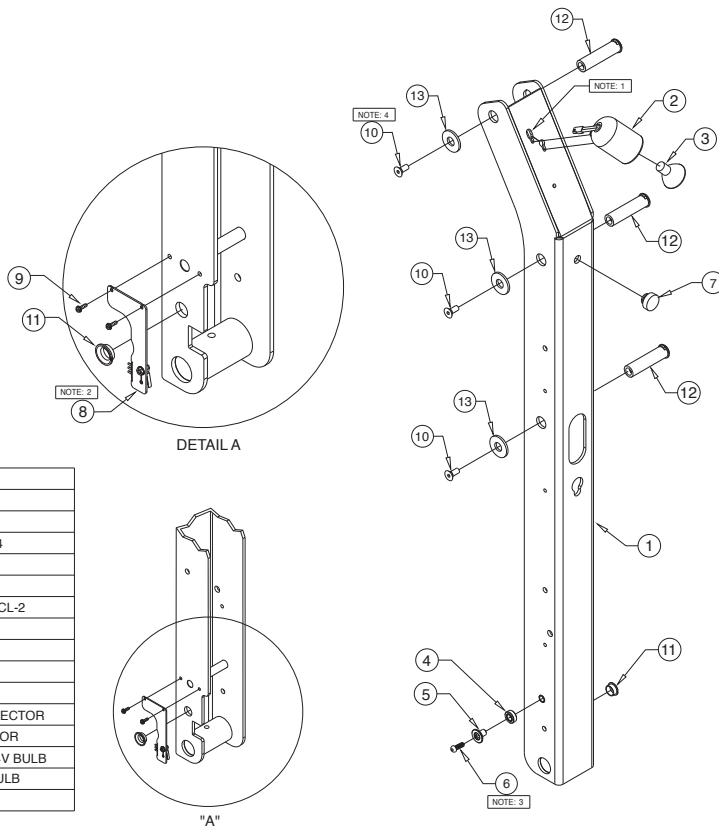
Vertical Arm Assembly - Rear

Applicable Lifts:

VL917IB3455RP-2
VL917FIB3455RP-2
VL919IBRP-2
VL919FIBRP-2
VL927IB3455RP-2
VL927FIB3455RP-2
VL929IBRP-2
VL929FIBRP-2

NOTICE

- 1) INSERT SOCKET OF LIGHT ASSY THRU TOP KEY WHILE INSTALLING LIGHT. TIGHTEN SCREWS.
- 2) HARNESS TO BE TUCKED INSIDE CHANNEL.
- 3) APPLY LOCTITE® THREADLOCKER BLUE 242® TO SCREW.
- 4) APPLY LOCTITE® THREADLOCKER RED 271™ TO SCREWS #25527.



ITEM	QTY.	PART NO.	DESCRIPTION
13	3	25346	WASHER-1/2" FLAT/AUTO BK
12	3	936-0403	PIN-PIVOT PARALLEL ARM
11	1	24442	BEARING-FLANGE-1/2" X 1/4"-08FDU04
10	3	25527	SCREW-5/16-18 X 3/4" FHS/AUTO-BK
9	2	37049	SCREW-#4-40 X 3/8"-THREAD FORM
8	1	33689A	ASSY-BRIDGE SWITCH W/ HARN/NL/NCL-2
7	1	32408	RUBBER BUMPER-VERT CHAN.
6	1	81064-000	SCREW-1/4-20 X 1 BHCS SS
5	1	945-5353	RETAINER-LIFT TITE ROLLER
4	1	1000-2395A	ROLLER ASSY-ARM-TORQUE SHAFT
1	1	36116	BULB-LIGHT-24V-20W-HALOGEN REFLECTOR
3	1	31060	BULB-LIGHT-20W-HALOGEN REFLECTOR
1	1	31062A-24V	ASSY-LIGHT-VERTICAL CHANNEL w/24V BULB
2	1	31062A	ASSY-LIGHT-VERTICAL CHANNEL w/BULB
1	1	949-3448RNW	WMT-VERTICAL CHANNEL-REAR-48"

Vertical Arm Assembly - Front

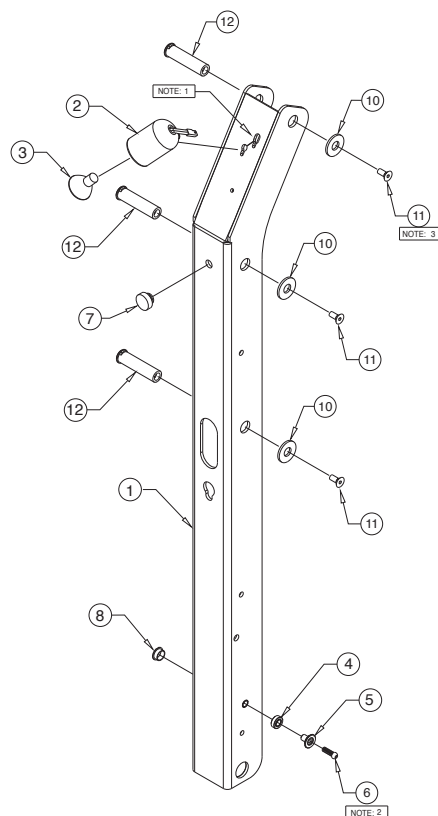
Applicable Lifts:

VL917IB3455RP-2
VL917FIB3455RP-2
VL919IBRP-2
VL919FIBRP-2
VL927IB3455RP-2
VL927FIB3455RP-2
VL929IBRP-2
VL929FIBRP-2

NOTICE

- 1) INSERT SOCKET OF LIGHT ASSY THRU TOP KEY WHILE INSTALLING LIGHT. TIGHTEN SCREWS.
- 2) APPLY LOCTITE® THREADLOCKER BLUE 242® TO SCREW #81064-000.
- 3) APPLY LOCTITE® THREADLOCKER RED 271™ TO SCREWS #25527.

ITEM	QTY.	PART NO.	DESCRIPTION
11	3	25527	SCREW-5/16-18 X 3/4" FHS/AUTO-BK
10	3	25346	WASHER-1/2" FLAT/AUTO BK
9	3	936-0403	PIN-PIVOT PARALLEL ARM
8	1	24442	BEARING-FLANGE-1/2" X 1/4"-08FDU04
7	1	32408	RUBBER BUMPER-VERT CHAN.
6	1	81064-000	SCREW-1/4-20 X 1 BHCS SS
5	1	945-5353	RETAINER-LIFT TITE ROLLER
4	1	1000-2395A	ROLLER-ASSY-ARM-TORQUE SHAFT
1	1	36116	BULB-LIGHT-24V-20W-HALOGEN REFLECTOR
3	1	31060	BULB-LIGHT-12V-20W-HALOGEN REFLECTOR
1	1	31062A-24V	ASSY-LIGHT-VERTICAL CHANNEL w/24V BULB
2	1	31062A	ASSY-LIGHT-VERTICAL CHANNEL w/12V BULB
1	1	949-3448FNW	WMT-VERTICAL CHANNEL-FRONT-48"

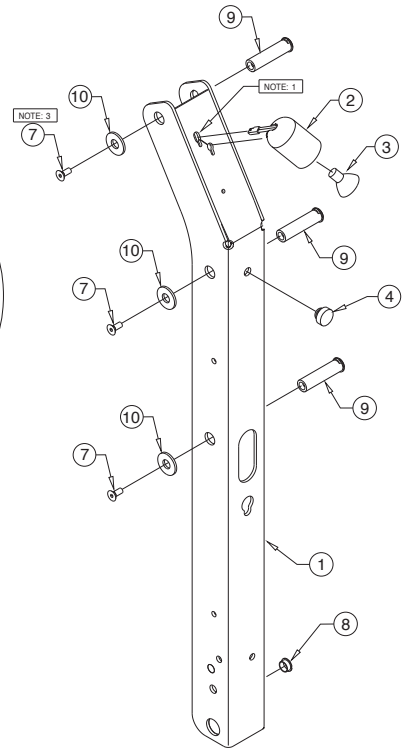
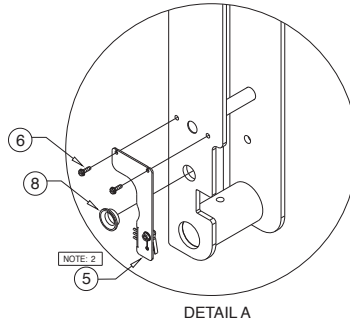


Exploded Views and Parts Lists

Vertical Arm Assembly - Rear

Applicable Lift:

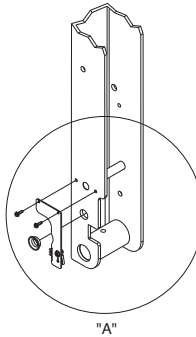
VL918IB3444RP-2



NOTICE

- 1) INSERT SOCKET OF LIGHT ASSY THRU TOP KEY WHILE INSTALLING LIGHT. TIGHTEN SCREWS.
- 2) HARNESS TO BE TUCKED INSIDE CHANNEL.
- 3) APPLY LOCTITE® THREADLOCKER RED 271™ TO SCREWS #25527.

ITEM	QTY.	PART NO.	DESCRIPTION
10	3	25346	WASHER-1/2" FLAT/AUTO BK
9	3	936-0403	PIN-PIVOT PARALLEL ARM
8	1	24442	BEARING-FLANGE-1/2" X 1/4"-08FDU04
7	3	25527	SCREW-5/16-18 X 3/4" FHS/AUTO-BK
6	2	37049	SCREW-#4-40 X 3/8"-THREAD FORM
5	1	33689A	ASSY-BRIDGE SWITCH W/ HARN/NL/NCL-2
4	1	32408	RUBBER BUMPER-VERT CHAN.
3	1	31060	BULB-LIGHT-20W-HALOGEN REFLECTOR
2	1	31062A	ASSY-LIGHT-VERTICAL CHANNEL w/BULB
1	1	994-0442RW	WMT-VERTICAL CHANNEL-REAR-42"



Vertical Arm Assembly - Front

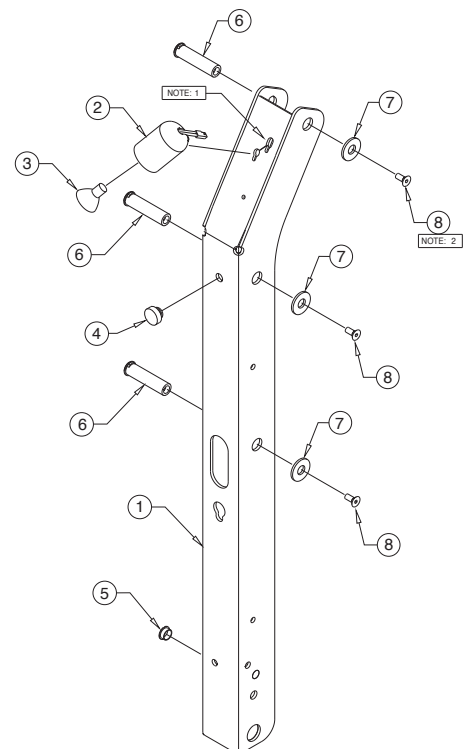
Applicable Lift:

VL918IB3444RP-2

NOTICE

- 1) INSERT SOCKET OF LIGHT ASSY THRU TOP KEY WHILE INSTALLING LIGHT. TIGHTEN SCREWS.
- 2) APPLY LOCTITE® THREADLOCKER RED 271™ TO SCREWS #25527.

ITEM	QTY.	PART NO.	DESCRIPTION
8	3	25527	SCREW-5/16-18 X 3/4" FHS/AUTO-BK
7	3	25346	WASHER-1/2" FLAT/AUTO BK
6	3	936-0403	PIN-PIVOT PARALLEL ARM
5	1	24442	BEARING-FLANGE-1/2" X 1/4"-08FDU04
4	1	32408	RUBBER BUMPER-VERT CHAN.
3	1	31060	BULB-LIGHT-12V-20W-HALOGEN REFLECTOR
2	1	31062A	ASSY-LIGHT-VERTICAL CHANNEL w/12V BULB
1	1	994-0442FW	WMT-VERTICAL CHANNEL-FRONT-42"



Exploded Views and Parts Lists

Vertical Arm Assembly - Rear

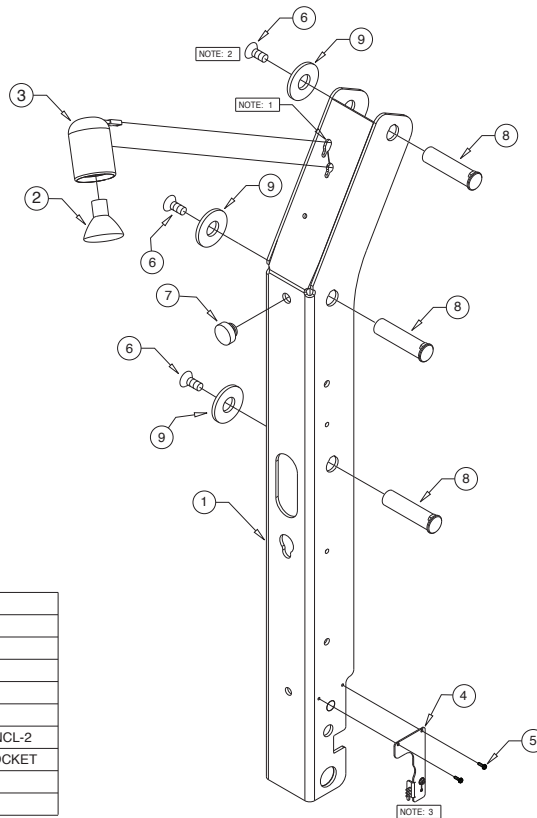
Applicable Lift:

VL995IB2740-2

NOTICE

- 1) INSERT SOCKET OF LIGHT ASSY THRU TOP KEY WHILE INSTALLING LIGHT. TIGHTEN SCREWS.
- 2) APPLY LOCTITE® THREADLOCKER RED 271™ OR EQUIVALENT TO ALL #25527 SCREWS.
- 3) HARNESS TO BE TUCKED INSIDE CHANNEL.

ITEM	QTY.	PART NO.	DESCRIPTION
9	3	25346	WASHER-1/2" FLAT/AUTO-BK
8	3	936-0403	PIN-PIVOT PARALLEL
7	1	32408	RUBBER BUMPER-VERT CHAN.
6	3	25527	SCREW-5/16-18 X 3/4" FHS/AUTO-BK
5	2	37049	SCREW-#4-40 X 3/8"-THREAD FORM
4	1	33689A	ASSY-BRIDGE SWITCH W/HARNESS-NL/NCL-2
3	1	31062A	ASSY-LIGHT-VERT. CHANNEL/PHILIPS SOCKET
2	1	31060	BULB-LIGHT-20W-HALOGEN REFLECTOR
1	1	991-0442RW	WMT-VERTICAL CHANNEL-REAR-26"FTG



Vertical Arm Assembly - Front

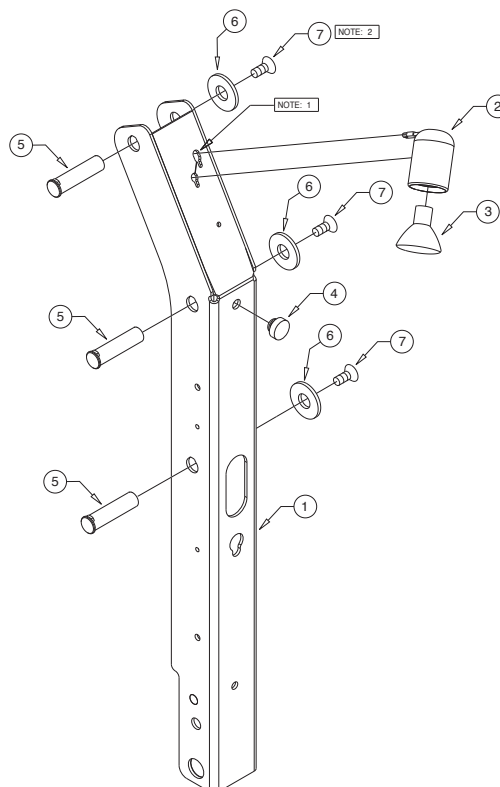
Applicable Lift:

VL995IB2740-2

NOTICE

- 1) INSERT SOCKET OF LIGHT ASSY THRU TOP KEY WHILE INSTALLING LIGHT. TIGHTEN SCREWS.
- 2) APPLY LOCTITE® THREADLOCKER RED 271™ OR EQUIVALENT TO ALL #25527 SCREWS.

ITEM	QTY.	PART NO.	DESCRIPTION
7	3	25527	SCREW-5/16-18 X 3/4" FHS/AUTO-BK
6	3	25346	WASHER-1/2" FLAT/AUTO BK
5	3	936-0403	PIN-PIVOT PARALLEL ARM
4	1	32408	RUBBER BUMPER-VERT CHAN.
3	1	31060	BULB-LIGHT-20W-HALOGEN REFLECTOR
2	1	31062A	ASSY-LIGHT-VERTICAL CHANNEL w/BULB
1	1	991-0442FW	WMT-VERTICAL CHANNEL-FRONT-26"FTG

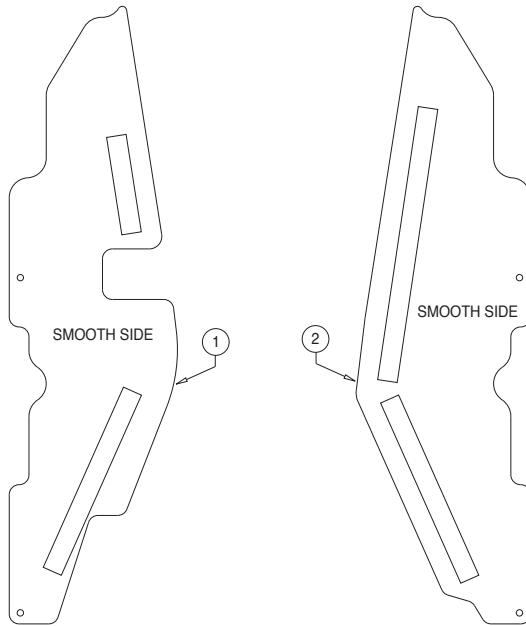


Exploded Views and Parts Lists

Front Arm Cover Assembly

Applicable Lifts:

- All VL917's
- All VL918's
- All VL919's
- All VL927's
- All VL929's

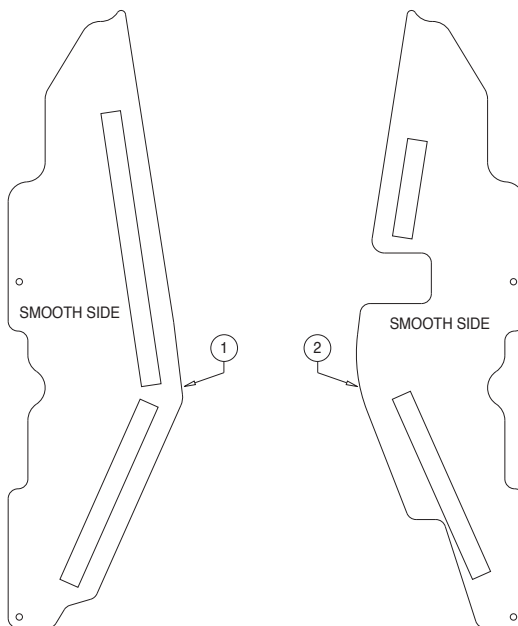


ITEM	QTY.	PART NO.	DESCRIPTION
2	1	915-0704NA	COVER-PLASTIC-PARALLEL ARM-OUTSIDE-FRONT
1	1	945-0701NA	COVER-PLASTIC-PARALLEL ARM-INSIDE-FRONT

Rear Arm Cover Assembly

Applicable Lifts:

- All VL917's
- All VL918's
- All VL919's
- All VL927's
- All VL929's



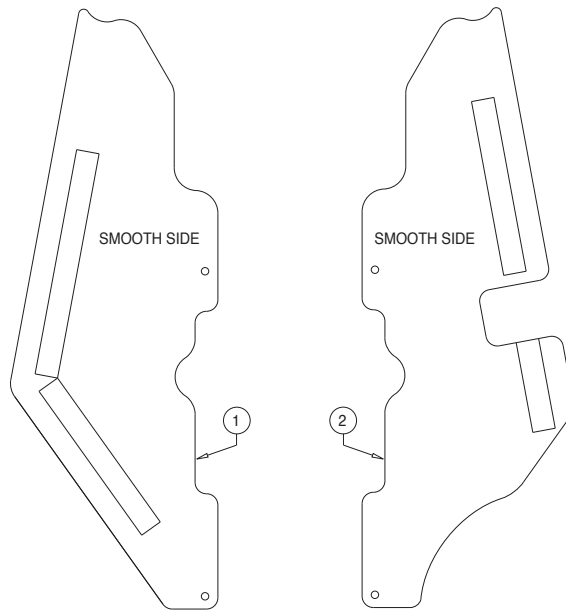
ITEM	QTY.	PART NO.	DESCRIPTION
2	1	945-0703NA	COVER-PLASTIC-PARALLEL ARM-INSIDE-REAR
1	1	915-0702NA	COVER-PLASTIC-PARALLEL ARM-OUTSIDE-REAR

Exploded Views and Parts Lists

Front Arm Cover Assembly

Applicable Lift:

VL995IB2740-2

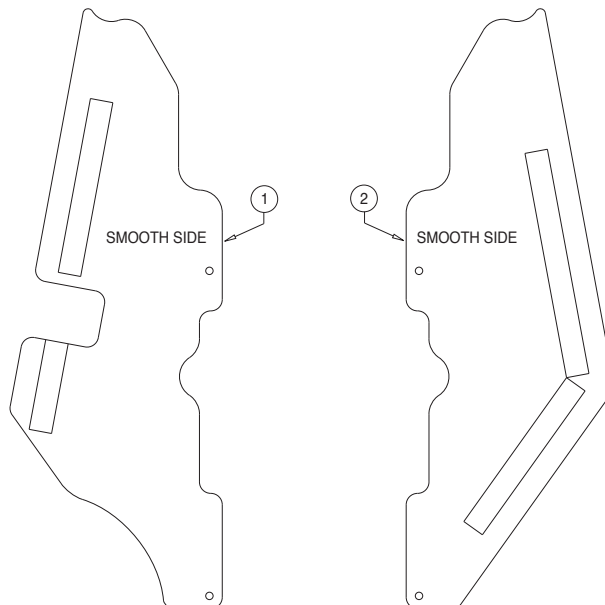


ITEM	QTY.	PART NO.	DESCRIPTION
2	1	991-0701A	COVER-PLASTIC-PARALLEL ARM-INSIDE-FRONT
1	1	991-0704A	COVER-PLASTIC-PARALLEL ARM-OUTSIDE-FRONT

Rear Arm Cover Assembly

Applicable Lift:

VL995IB2740-2



ITEM	QTY.	PART NO.	DESCRIPTION
2	1	991-0702A	COVER-PLASTIC-PARALLEL ARM-OUTSIDE-RR
1	1	991-0703A	COVER-PLASTIC-PARALLEL ARM-INSIDE-RR

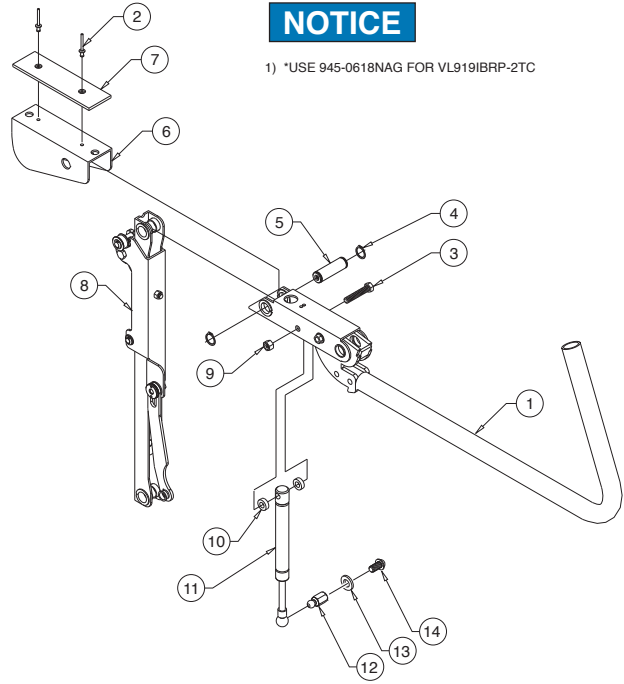
Exploded Views and Parts Lists

Front Handrail Assembly

Applicable Lifts:

VL917IB3455RP-2
VL917FIB3455RP-2
VL919IBRP-2
VL919FIBRP-2
VL927IB3455RP-2
VL927FIB3455RP-2
VL929IBRP-2
VL929FIBRP-2

ITEM	QTY.	PART NO.	DESCRIPTION
14	1	25171	BOLT - 3/8-16 X 3/4" FLBHSCS-GD8
13	1	10069	WASHER - 3/8" LOCK
12	1	29185	BALL STUD-13MM W/ 3/8-16 FEMALE THREAD
11	1	29186A	GAS SPRING-14.468 EXT/8.956 COM-P1=1150N (Includes #12)
10	2	30227	WASHER-UHMW 0.75 OD X 0.39 ID X 0.25
9	1	13617	NUT-3/8-16 UNC HEX LOCK/AUTO-BK
8	1	945-0640FNA	ASSY-FOLD ARM-48 FTG-FRONT
7	1	31677	SLIDE-UHMW-PLATFORM SLIDE-2X6.9"
6	1	985-0606N	SLIDE-PLATFORM ROTATE HANDRAIL
5	1	900-0413N	PIN-PIVOT LOWER ARM
4	2	18657	RING-3/4 EXT SNAP/AUTO-BK
3	1	10027	BOLT-3/8-16 X 2" HEX HD. CAP
2	2	11513	RIV-POP-SD64BS-3/16"-.13/25/AUTO-BK
1	1	945-0618NA*	HANDRAIL ASSY-NHTSA



NOTICE

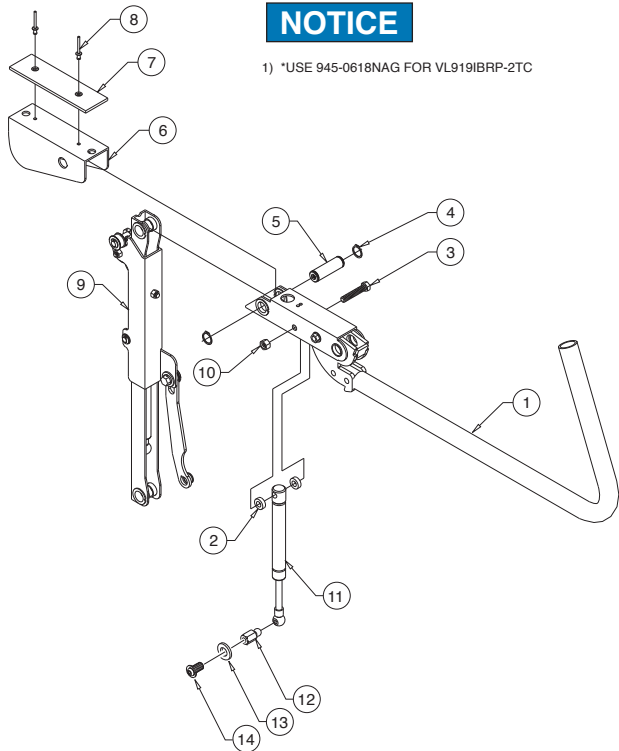
1) *USE 945-0618NAG FOR VL919IBRP-2TC

Rear Handrail Assembly

Applicable Lifts:

VL917IB3455RP-2
VL917FIB3455RP-2
VL919IBRP-2
VL919FIBRP-2
VL927IB3455RP-2
VL927FIB3455RP-2
VL929IBRP-2
VL929FIBRP-2

ITEM	QTY.	PART NO.	DESCRIPTION
14	1	25171	BOLT - 3/8-16 X 3/4" FLBHSCS-GD8
13	1	10069	WASHER - 3/8" LOCK
12	1	29185	BALL STUD-13MM W/ 3/8-16 FEMALE THREAD
11	1	29186A	GAS SPRING-14.468 EXT/8.956 COM-P1=1150N (Includes #12)
10	1	13617	NUT-3/8-16 UNC HEX LOCK/AUTO-BK
9	1	917-0640RA	ASSY-FOLD ARM-48 FTG-REAR
8	2	11513	RIV-POP-SD64BS-3/16"-.13/25/AUTO-BK
7	1	31677	SLIDE-UHMW-PLATFORM SLIDE-2X6.9"
6	1	985-0606N	SLIDE-PLATFORM ROTATE HANDRAIL
5	1	900-0413N	PIN-PIVOT LOWER ARM
4	2	18657	RING-3/4 EXT SNAP/AUTO-BK
3	1	10027	BOLT-3/8-16 X 2" HEX HD. CAP
2	2	30227	WASHER-UHMW 0.75 OD X 0.39 ID X 0.25
1	1	945-0618NA*	HANDRAIL ASSY-NHTSA



NOTICE

1) *USE 945-0618NAG FOR VL919IBRP-2TC

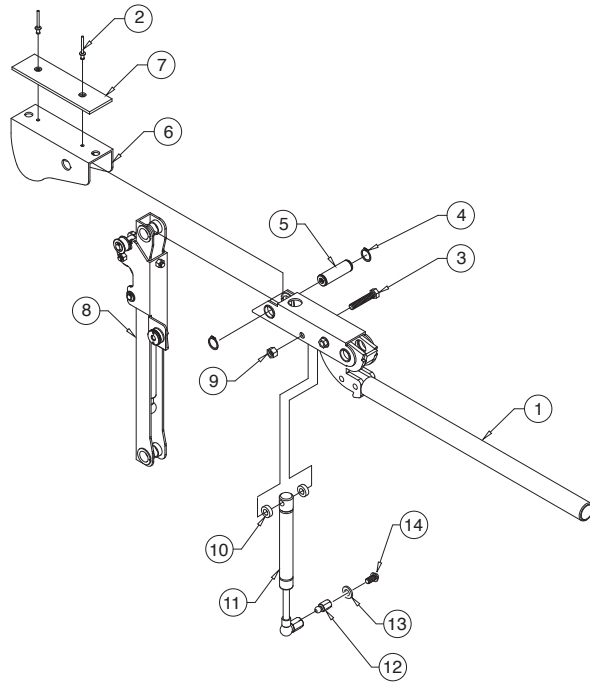
Exploded Views and Parts Lists

Front Handrail Assembly

Applicable Lift:

VL9181B3444RP-2

ITEM	QTY.	PART NO.	DESCRIPTION
14	1	25171	BOLT - 3/8-16 X 3/4" FLBHSCS-GD8
13	1	10069	WASHER - 3/8" LOCK
12	1	29185	BALL STUD-13MM W/ 3/8-16 FEMALE THREAD
11	1	29186A	GAS SPRING-14.468 EXT/8.956 COM-P1=1150N (Includes #12)
10	2	30227	WASHER-UHMW 0.75 OD X 0.39 ID X 0.25
9	1	13617	NUT-3/8-16 UNC HEX LOCK/AUTO-BK
8	1	994-0640FNA	ASSY-FOLD ARM-42 FTG-FRONT
7	1	31677	SLIDE-UHMW-PLATFORM SLIDE-2X6.9"
6	1	915-2606N	SLIDE-PLATFORM ROTATE HANDRAIL
5	1	900-0413N	PIN-PIVOT LOWER ARM
4	2	18657	RING-3/4 EXT SNAP/AUTO-BK
3	1	10027	BOLT-3/8-16 X 2" HEX HD. CAP
2	2	11513	RIV-POP-SD64BS-3/16"-.13/.25/AUTO-BK
1	1	C994-0618A	HANDRAIL ASSY

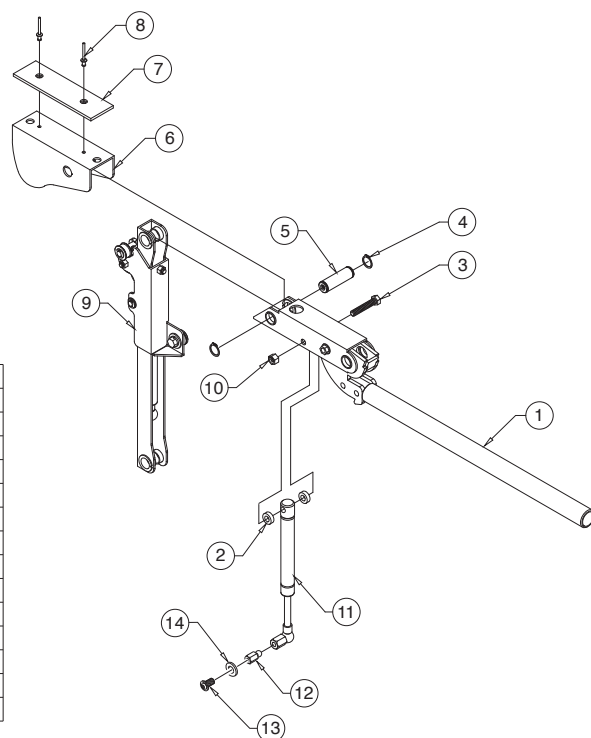


Rear Handrail Assembly

Applicable Lift:

VL9181B3444RP-2

ITEM	QTY.	PART NO.	DESCRIPTION
14	1	25171	BOLT - 3/8-16 X 3/4" FLBHSCS-GD8
13	1	10069	WASHER - 3/8" LOCK
12	1	29185	BALL STUD-13MM W/ 3/8-16 FEMALE THREAD
11	1	29186A	GAS SPRING-14.468 EXT/8.956 COM-P1=1150N (Includes #12)
10	1	13617	NUT-3/8-16 UNC HEX LOCK/AUTO-BK
9	1	994-0640RA	ASSY-FOLD ARM-42 FTG-REAR
8	2	11513	RIV-POP-SD64BS-3/16"-.13/.25/AUTO-BK
7	1	31677	SLIDE-UHMW-PLATFORM SLIDE-2X6.9"
6	1	915-2606N	SLIDE-PLATFORM ROTATE HANDRAIL
5	1	900-0413N	PIN-PIVOT LOWER ARM
4	2	18657	RING-3/4 EXT SNAP/AUTO-BK
3	1	10027	BOLT-3/8-16 X 2" HEX HD. CAP
2	2	30227	WASHER-UHMW 0.75 OD X 0.39 ID X 0.25
1	1	C994-0618A	HANDRAIL ASSY

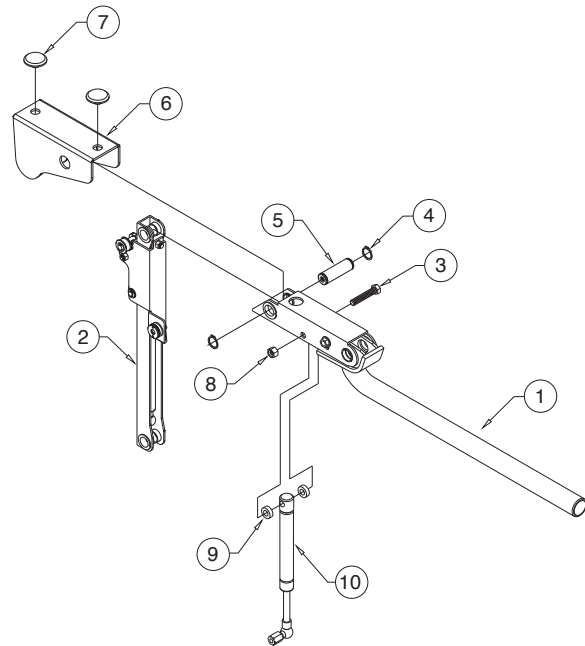


Exploded Views and Parts Lists

Front Handrail Assembly

Applicable Lift:

VL995IB2740-2

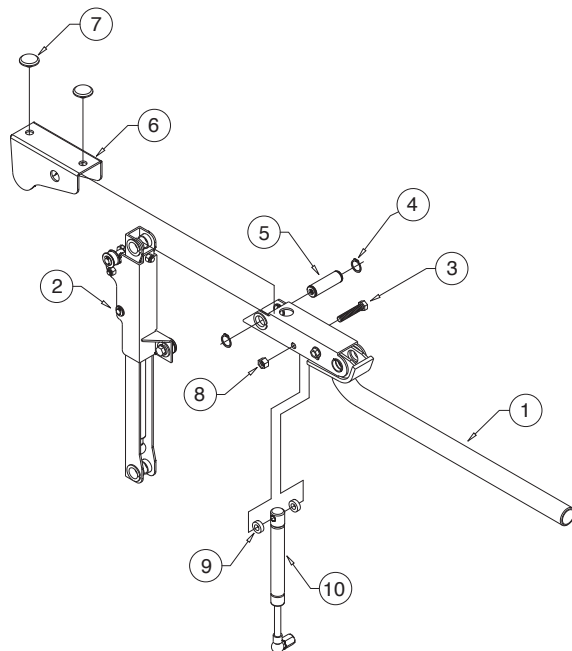


ITEM	QTY.	PART NO.	DESCRIPTION
10	1	29186A	GAS SPRING ASSY-14.468 EXT/8.956 COMP
9	2	30227	WASHER-UHMW 0.75" OD X 0.39" ID X 0.25"
8	1	13617	NUT-3/8-16 UNC HEX LOCK/AUTO-BK
7	2	205-1760	BEARING-UHMW FLAT/1226-THN-BLK
6	1	991-0606	SLIDE-PLATFORM ROTATE
5	1	900-0413N	PIN-PIVOT LOWER ARM
4	2	18657	RING-3/4" EXT SNAP/AUTO-BK
3	1	10027	BOLT-3/8-16 X 2" HEX HD. CAP
2	1	991-0640FA	ASSY-FOLD ARM-42 FTG-FRONT
1	1	955-0618A	HANDRAIL ASSY

Rear Handrail Assembly

Applicable Lift:

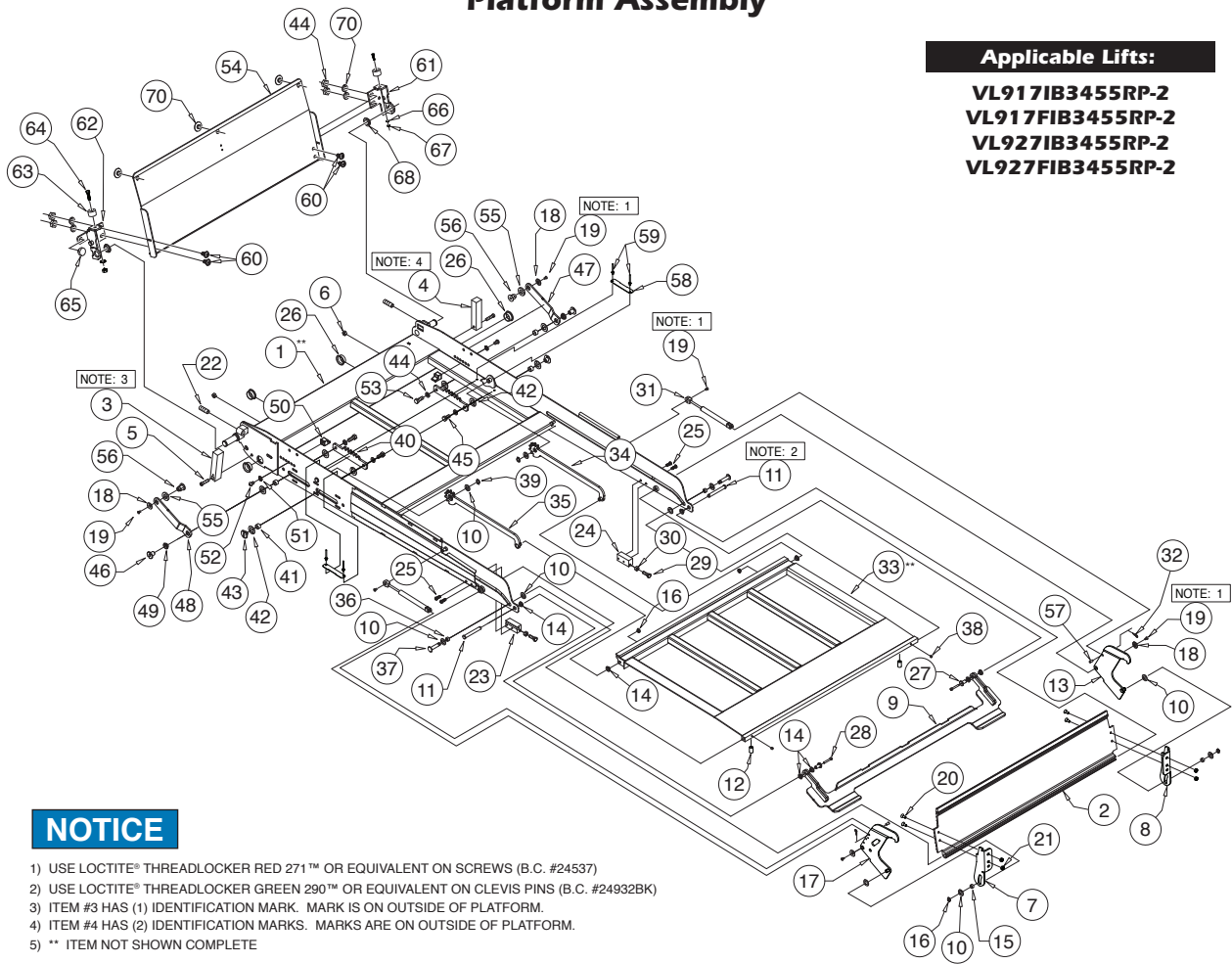
VL995IB2740-2



ITEM	QTY.	PART NO.	DESCRIPTION
10	1	29186A	GAS SPRING ASSY-14.468 EXT/8.956 COMP
9	2	30227	WASHER-UHMW 0.75" OD X 0.39" ID X 0.25"
8	1	13617	NUT-3/8-16 UNC HEX LOCK/AUTO-BLK
7	2	205-1760	BEARING-UHMW FLAT/1226-THN-BLK
6	1	991-0606	SLIDE-PLATFORM-ROTATE
5	1	900-0413N	PIN-PIVOT LOWER ARM
4	2	18657	RING-3/4" EXT SNAP/AUTO-BK
3	1	10027	BOLT-3/8-16 X 2" HEX HD. CAP
2	1	991-0640RA	ASSY-FOLD ARM-42" FTG-REAR
1	1	955-0618A	HANDRAIL ASSY

Exploded Views and Parts Lists

Platform Assembly



Applicable Lifts:

- VL917IB3455RP-2**
- VL917FIB3455RP-2**
- VL927IB3455RP-2**
- VL927FIB3455RP-2**

NOTICE

- 1) USE LOCTITE® THREADLOCKER RED 271™ OR EQUIVALENT ON SCREWS (B.C. #24537)
- 2) USE LOCTITE® THREADLOCKER GREEN 290™ OR EQUIVALENT ON CLEVIS PINS (B.C. #24932BK)
- 3) ITEM #3 HAS (1) IDENTIFICATION MARK. MARK IS ON OUTSIDE OF PLATFORM.
- 4) ITEM #4 HAS (2) IDENTIFICATION MARKS. MARKS ARE ON OUTSIDE OF PLATFORM.
- 5) ** ITEM NOT SHOWN COMPLETE

ITEM	QTY.	PART NO.	DESCRIPTION
36	2	975-2358	BEARING-PLATFORM-SLIDE
35	2	975-2328RABKN-55	GEAR ASSEMBLY/REAR
34	2	975-2328FABKN-55	GEAR ASSEMBLY/Front
33	2	949-03455OTW**	WMT-PLATFORM MOVABLE/OUTER
32	2	36003	HAIRPIN COTTER-STAINLESS-.042"
31	2	32831	GAS SPRING-6.46" EXT 4.88" COM P1=40#
30	2	10058	NUT-5/16-18 HEX/AUTO-BK
29	2	10013	BOLT-5/16-18 X 1" HEX HD. CAP
28	2	40-1092-0	SCREW-10-32 X 1.25" SHCS
27	2	32759	STANDOFF-FOOT MOUNT
26	4	28031	BEARING-FLANGE-1 X 1/2-16 FDU08
25	4	15733	BOLT-1/4-20 X 1/2" BHCS AUTO BK
24	1	34122F	BRACKET-ADJUST-SPLIT-FOOT
23	1	34122R	BRACKET-ADJUST-SPLIT FOOT
22	2	18663	SCREW-1/2-20 X 1.5" SET-LOCK/AUTO-BK
21	4	10775	NUT-1/4-20 HEX LOCK/AUTO BK
20	4	40-4230-0	SCREW-1/4-20X 5/8" FL HD-SKT CAP
19	6	24537	SCREW-#10-32 X 5/8" FL HD-HX SKT/AUTO-BK
18	4	990-0341	ADAPT-CYL/ROLL STOP LEVER-OUT
17	1	945-4206RN	ROLL STOP LATCH-REAR
16	4	13889	RING-3/8" EXT SELF LOCK SNAP/AUTO-BK
15	2	945-2336N	BEARING-PLATFORM SLIDE
14	8	24028	BEARING-PLASTIC FLANGE-3/8" I.D. X 1/4"
13	1	945-4206FN	LATCH-ROLL STOP/Front
12	2	28630R000.81	TUBING-POLYURETHANE 1/4" ID X 1/2" OD X .81"
11	2	24932BK	PIN-CLEVIS 3/8" X 3" EFF LEN.-W/O HOLE/BK
10	10	29371	WASHER-THRUST-.875" O.D./50" I.D./0.0585" T
9	1	949-0200NW-34	WMT-ROLL STOP ACTIVATION FOOT
8	1	945-3202FN	BKT-LATCH/ROLL STOP/Front
7	1	945-3202RN	BKT-LATCH/ROLL STOP/REAR
6	2	28324BK	NUT-5/16-18 TOP LOCK/AUTO-BK
5	2	81003-000	SCREW-5/16-18 X 1 1/4"-SHCS BK ZINC
4	1	949-0311FN	STOP-PLATFORM
3	1	949-0311RN	STOP-PLATFORM
2	1	949-3312NA34Y	ROLL STOP-ALUM/RUBBER END/ASSY-34"
1	1	V917-03455IBINW**	WMT - PLATFORM FIXED INNER

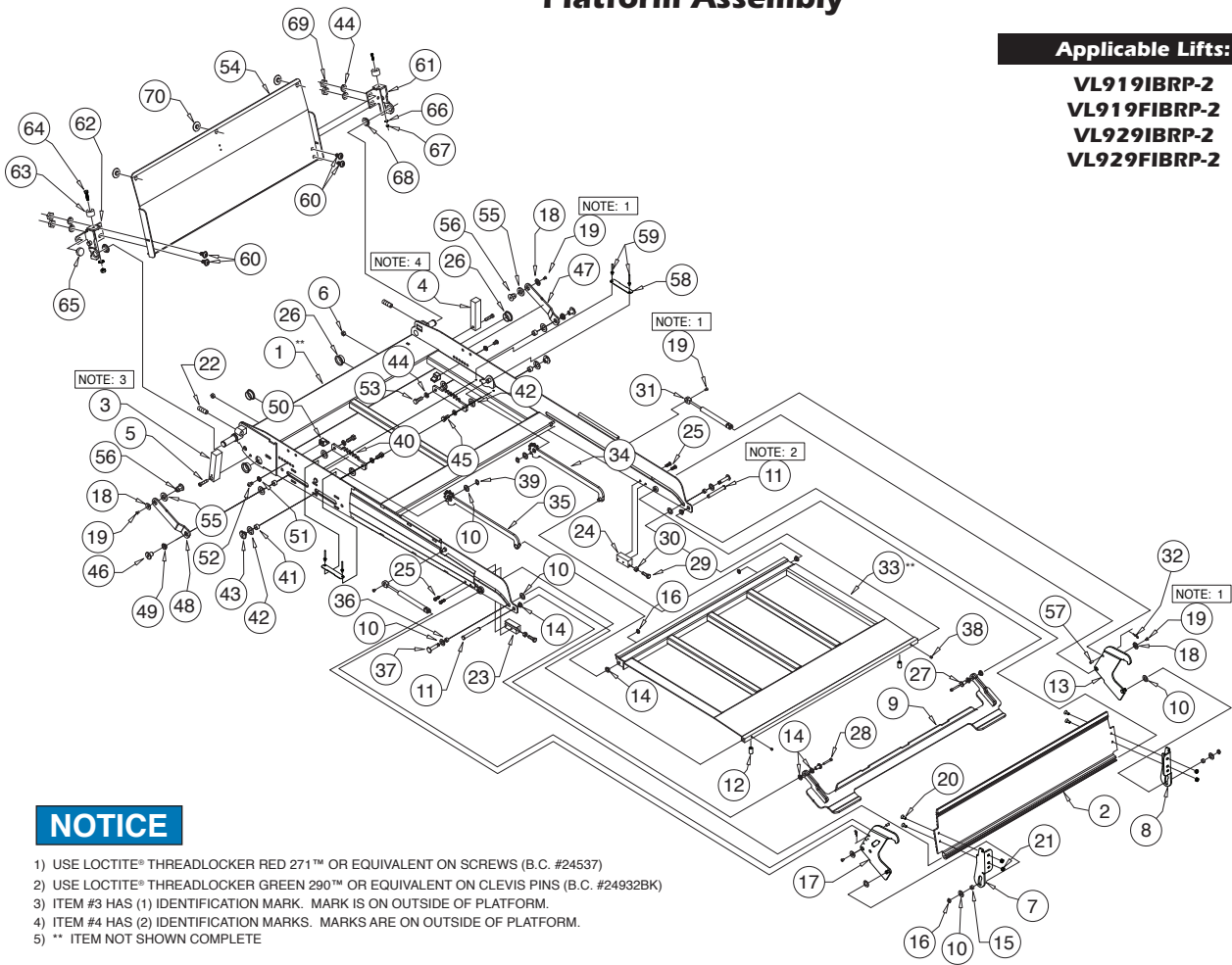
ITEM	QTY.	PART NO.	DESCRIPTION
70	3	916-5406	BEARING-UHMW FLAT-THIN-BLK
69	4	10059BK	NUT-3/8-16 HEX/AUTO-BK
68	2	24012	BEARING-FLANGE-3/4" X 1/4"-12FDU04
67	2	10057	NUT-1/4-20 HEX
66	2	83588	WASHER-1/4 EXT STAR TOOTH LOCK ZP
65	1	32408	RUBBER BUMPER-VERT CHAN.
64	2	10001	BOLT-1/4-20 X 1" HEX
63	2	33603	BUMPER-1" X 5/8" LG NAT UHMW/BRIDGEPLATE
62	1	949-0431RNW	WMT-BKT-BRIDGE PLATE/RR
61	1	949-0431FNW	WMT-BKT-BRIDGE PLATE/FR
60	4	25171	BOLT-3/8-16 X 3/4" FLBHSCS-GD8
59	4	11513	RIV-POP-SD64BS-3/16"-.13/.25"/AUTO-BK
58	2	35909	COVER-VL GEAR OPENING
57	2	34686	PIN-ROLLSTOP GAS SPRING
56	2	34248	PIVOT-ROLL STOP LEVER-NVL-2
55	2	34249	WASHER-0.625" ID X 1" OD X 0.188" TH, DERIN
54	1	949-0147NWX-34	BRIDGE PLT-34/48"-FTG (949-0147NAY-34 Incl. 44, 54, 60-70)
53	2	10025	BOLT-3/8-16 X 1" HEX/AUTO-BK
52	2	26281	SCREW-5/16-18 X 1/2" BHSC-BLK/AUTO-BK
51	2	16368	WASHER-5/16" EXTERNAL TOOTH
50	2	26154	BUMPER-STOW/VISTA
49	2	24442	BEARING-FLANGE-1/2" X 1/4"-08FDU04
48	1	949-0333RN	LINK-PLATFORM/VERT CHANNEL
47	1	949-0333FN	LINK-PLATFORM/VERT CHANNEL
46	2	975-2334	PIN-BEARING-GEAR RACK
45	2	12463	BOLT-3/8-16 X 3/4" GR5-HEX/AUTO-BK
44	8	10069BK	WASHER-3/8" LOCK/AUTO-BK
43	2	975-2202	PIN-BEARING-GEAR RACK
42	8	29378	WASHER-THRUST-1.125" O.D./1.625" I.D./0.0585" T
41	4	975-2359	BEARING-PLATFORM-SLIDE
40	2	975-2329BKN	GEAR RACK-PLATFORM FOLD
39	2	13273	RING-1/2" EXT SELF LOCK SNAP/AUTO-BK
38	2	11563	SCREW-1/4-20 X 1/4" SET CUP PT
37	2	975-2360	PIN-BEARING-PLATFORM SLIDE

Exploded Views and Parts Lists

Platform Assembly

Applicable Lifts:

VL919IBRP-2
VL919FIBRP-2
VL929IBRP-2
VL929FIBRP-2



NOTICE

- 1) USE LOCTITE® THREADLOCKER RED 271™ OR EQUIVALENT ON SCREWS (B.C. #24537)
- 2) USE LOCTITE® THREADLOCKER GREEN 290™ OR EQUIVALENT ON CLEVIS PINS (B.C. #24932BK)
- 3) ITEM #3 HAS (1) IDENTIFICATION MARK. MARK IS ON OUTSIDE OF PLATFORM.
- 4) ITEM #4 HAS (2) IDENTIFICATION MARKS. MARKS ARE ON OUTSIDE OF PLATFORM.
- 5) ** ITEM NOT SHOWN COMPLETE

ITEM	QTY.	PART NO.	DESCRIPTION
36	2	975-2358	BEARING-PLATFORM-SLIDE
35	2	975-2328RRABKN	GEAR ASSEMBLY/REAR
34	2	975-2328FRABKN	GEAR ASSEMBLY/FRONT
33	2	949-0336NA-34**	ASSY-PLATFORM MOVABLE/OUTER
32	2	36003	HAIRPIN COTTER-STAINLESS-.042"
31	2	32831	GAS SPRING-6.46" EXT 4.88" COM P1=40#
30	2	10058	NUT-5/16-18 HEX/AUTO-BK
29	2	10013	BOLT-5/16-18 X 1" HEX HD. CAP
28	2	40-1092-0	SCREW-10-32 X 1.25" SHCS
27	2	32759	STANDOFF-FOOT MOUNT
26	4	28031	BEARING-FLANGE-1 X 1/2-16 FDU08
25	4	15733	BOLT-1/4-20 X 1/2" BHCS AUTO BK
24	1	34122F	BRACKET-ADJUST-SPLIT-FOOT
23	1	34122R	BRACKET-ADJUST-SPLIT FOOT
22	2	18663	SCREW-1/2-20 X 1.5" SET-LOCK/AUTO-BK
21	4	10775	NUT-1/4-20 HEX LOCK/AUTO BK
20	4	40-4230-0	SCREW-1/4-20 X 5/8" FL HD-SKT CAP
19	6	24537	SCREW-#10-32 X 5/8" FL HD-HX SKT/AUTO-BK
18	4	990-0341	ADAPT-CYL/ROLL STOP LEVER-OUT
17	1	945-4206RN	ROLL STOP LATCH-REAR
16	4	13889	RING-3/8" EXT SELF LOCK SNAP/AUTO-BK
15	2	945-2336N	BEARING-PLATFORM SLIDE
14	8	24028	BEARING-PLASTIC FLANGE-3/8" I.D. X 1/4"
13	1	945-4206FN	LATCH-ROLL STOP/FRONT
12	2	28630R000.81	TUBING-POLYURETHANE 1/4" ID X 1/2" OD X .81"
11	2	24932BK	PIN-CLEVIS 3/8" X 3" EFF LEN.-W/O HOLE/BK
10	10	29371	WASHER-THRUST-.875" O.D./.50" I.D./0585" T
9	1	949-0200NW-34	WMT-ROLL STOP ACTAVATION FOOT
8	1	945-3202FN	BKT-LATCH/ROLL STOP/FRONT
7	1	945-3202RN	BKT-LATCH/ROLL STOP/REAR
6	2	28324BK	NUT-5/16-18 TOP LOCK/AUTO-BK
5	2	81003-000	SCREW-5/16-18 X 1 1/4"-SHCS BK ZINC
4	1	949-0311FN	STOP-PLATFORM
3	1	949-0311RN	STOP-PLATFORM
2	1	949-3312NA34Y	ROLL STOP-ALUM/RUBBER END/ASSY-34"
1	1	949-23451NW**	WMT - PLATFORM FIXED INNER

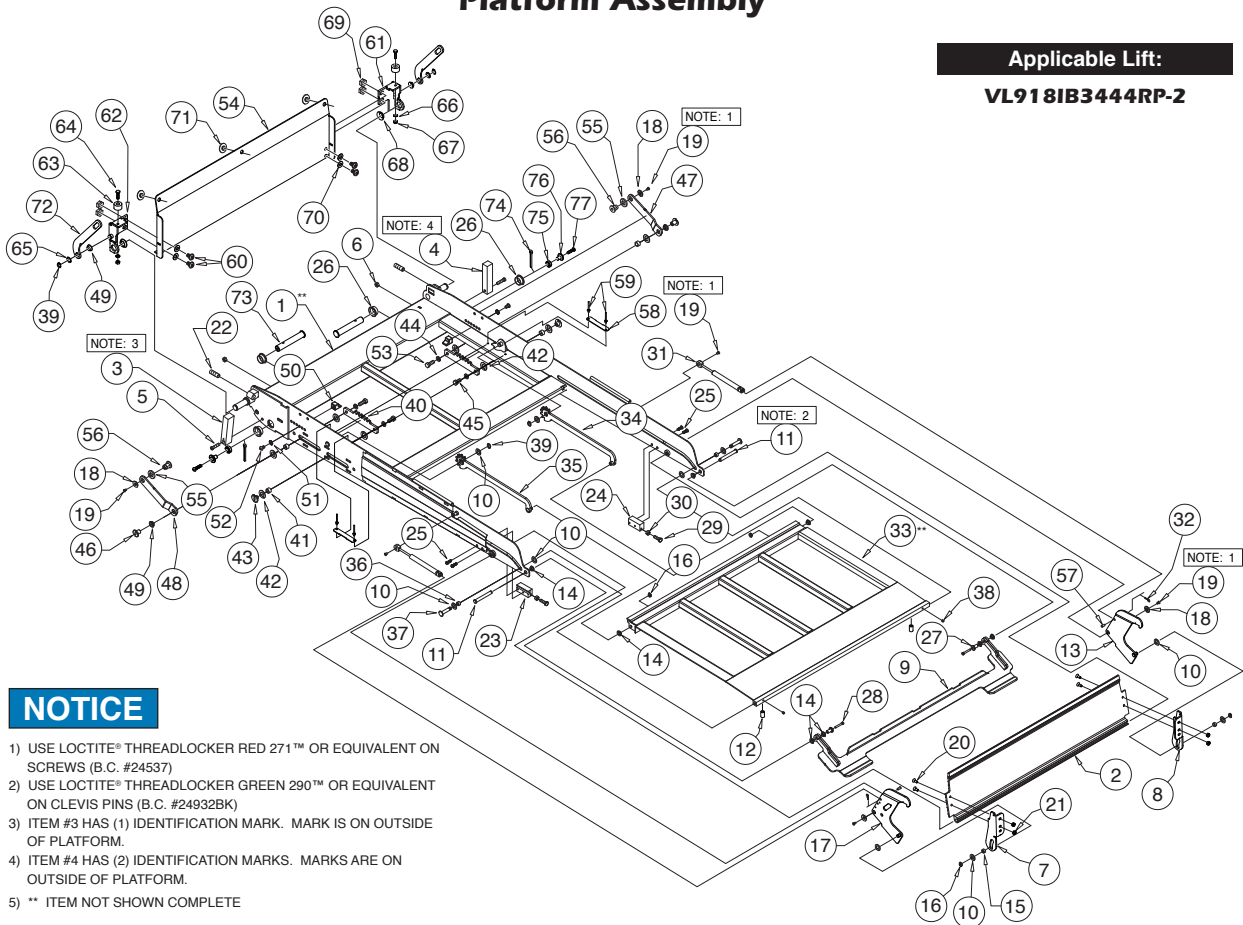
ITEM	QTY.	PART NO.	DESCRIPTION
70	3	916-5406	BEARING-UHMW FLAT-THIN-BLK
69	4	10059BK	NUT-3/8 X 16 HEX/AUTO-BK
68	2	24012	BEARING-FLANGE-3/4" X 1/4"-12FDU04
67	2	10057	NUT-1/4-20 HEX
66	2	83588	WASHER-1/4 EXT STAR TOOTH LOCK ZP
65	1	32408	RUBBER BUMPER-VERT CHAN.
64	2	10001	BOLT-1/4-20 X 1" HEX
63	2	33603	BUMPER-1" X 5/8" LG NAT UHMW/BRIDGEPLATE
62	1	949-0431RNW	WMT-BKT-BRIDGE PLATE/RR
61	1	949-0431FNW	WMT-BKT-BRIDGE PLATE/FR
60	4	25171	BOLT-3/8-16 X 3/4" FLBHSCS-GD8
59	4	11513	RIV-POP-SD64BS-3/16"-13/.25"/AUTO-BK
58	2	35909	COVER-VL GEAR OPENING
57	2	34686	PIN-ROLL STOP GAS SPRING
56	2	34248	PIVOT-ROLL STOP LEVER-NVL-2
55	2	34249	WASHER-0.625" ID X 1" OD X 0.188" TH, DERIN
54	1	949-0147NWY	BRIDGE PLT-34/48"-FTG (949-0147NAY-34 Incl. 44, 54, 60-70)
53	2	10025	BOLT-3/8-16 X 1" HEX/AUTO-BK
52	2	26281	SCREW-5/16-18 X 1/2" BHSC-BLK/AUTO-BK
51	2	16368	WASHER-5/16" EXTERNAL TOOTH
50	2	26154	BUMPER-STOW/VISTA
49	2	24442	BEARING-FLANGE-1/2" X 1/4"-08FDU04
48	1	949-0333RN	LINK-PLATFORM/VERT CHANNEL
47	1	949-0333FN	LINK-PLATFORM/VERT CHANNEL
46	2	975-2334	PIN-BEARING-GEAR RACK
45	2	12463	BOLT-3/8-16 X 3/4" GR5-HEX/AUTO-BK
44	8	10069BK	WASHER-3/8" LOCK/AUTO-BK
43	2	975-2202	PIN-BEARING-GEAR RACK
42	8	29378	WASHER-THRUST-1.125" O.D./.625" I.D./0585" T
41	4	975-2359	BEARING-PLATFORM-SLIDE
40	2	975-2329BKN	GEAR RACK-PLATFORM FOLD
39	2	13273	RING-1/2" EXT SELF LOCK SNAP/AUTO-BK
38	2	11563	SCREW-1/4-20 X 1/4" SET CUP PT
37	2	975-2360	PIN-BEARING-PLATFORM SLIDE

Exploded Views and Parts Lists

Platform Assembly

Applicable Lift:

VL918IB3444RP-2



NOTICE

- 1) USE LOCTITE® THREADLOCKER RED 271™ OR EQUIVALENT ON SCREWS (B.C. #24537)
- 2) USE LOCTITE® THREADLOCKER GREEN 290™ OR EQUIVALENT ON CLEVIS PINS (B.C. #24932BK)
- 3) ITEM #3 HAS (1) IDENTIFICATION MARK. MARK IS ON OUTSIDE OF PLATFORM.
- 4) ITEM #4 HAS (2) IDENTIFICATION MARKS. MARKS ARE ON OUTSIDE OF PLATFORM.
- 5) ** ITEM NOT SHOWN COMPLETE

ITEM	QTY.	PART NO.	DESCRIPTION
39	4	13273	RING-1/2" EXT SELF LOCK SNAP/AUTO-BK
38	2	11563	SCREW-1/4-20 X 1/4" SET CUP PT
37	2	975-2360	PIN-BEARING-PLATFORM SLIDE
36	2	975-2358	BEARING-PLATFORM-SLIDE
35	2	V955-0328RRABKN	GEAR ASSEMBLY/REAR
34	2	V955-0328FRABKN	GEAR ASSEMBLY/FRONT
33	2	949-03444OTW**	WMT-PLATFORM MOVABLE/OUTER
32	2	36003	HAIRPIN COTTER-STAINLESS-.042"
31	2	32831	GAS SPRING-6.46" EXT 4.88" COM P1=40#
30	2	10058	NUT-5/16-18 HEX/AUTO-BK
29	2	10013	BOLT-5/16-18 X 1" HEX HD. CAP
28	2	40-1092-0	SCREW-10-32 X 1.25" SHCS
27	2	32759	STANDOFF-FOOT MOUNT
26	4	28031	BEARING-FLANGE-1 X 1/2-16 FDU08
25	4	15733	BOLT-1/4-20 X 1/2" BHCS AUTO BK
24	1	34122F	BRACKET-ADJUST-SPLIT-FOOT
23	1	34122R	BRACKET-ADJUST-SPLIT FOOT
22	2	18663	SCREW-1/2-20 X 1.5" SET-LOCK/AUTO-BK
21	4	10775	NUT-1/4-20 HEX LOCK/AUTO BK
20	4	40-4230-0	SCREW-1/4-20X 5/8" FL HD-SKT CAP
19	6	24537	SCREW-#10-32 X 5/8" FL HD-HX SKT/AUTO-BK
18	4	990-0341	ADAPT-CYL/ROLL STOP LEVER-OUT
17	1	945-4206RN	ROLL STOP LATCH-REAR
16	4	13889	RING-3/8" EXT SELF LOCK SNAP/AUTO-BK
15	2	945-2336N	BEARING-PLATFORM SLIDE
14	8	24028	BEARING-PLASTIC FLANGE-3/8" I.D. X 1/4"
13	1	945-4206FN	LATCH-ROLL STOP/FRONT
12	2	28630R000.81	TUBING-POLYURETHANE 1/4" ID X 1/2" OD X .81"
11	2	24932BK	PIN-CLEVIS 3/8" X 3" EFF LEN-W/O HOLE/BK
10	10	29371	WASHER-THRUST-.875" O.D./.50" I.D./0585" T
9	1	949-0200NW-34	WMT-ROLL STOP ACTAVATION FOOT
8	1	945-3202FN	BKT-LATCH/ROLL STOP/FRONT
7	1	945-3202RN	BKT-LATCH/ROLL STOP/REAR
6	2	28324BK	NUT-5/16-18 TOP LOCK/AUTO-BK
5	2	81003-000	SCREW-5/16-18 X 1 1/4"-SHCS BK ZINC
4	1	949-0311FN	STOP-PLATFORM
3	1	949-0311RN	STOP-PLATFORM
2	1	949-3312NA34Y	ROLL STOP-ALUM/RUBBER END/ASSY-34"
1	1	949-23444NW**	WMT - PLATFORM FIXED INNER

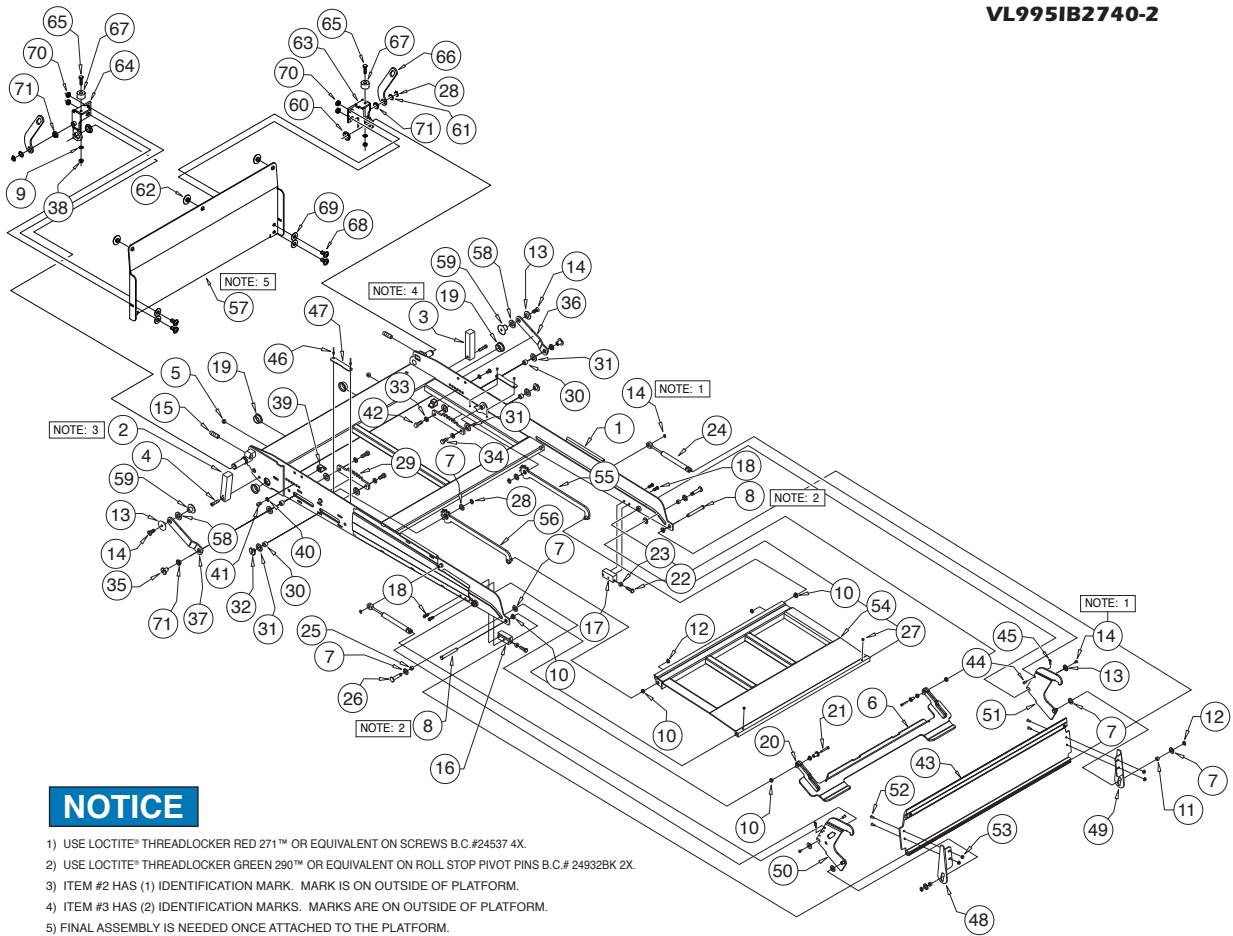
ITEM	QTY.	PART NO.	DESCRIPTION
77	2	81064-000	SCREW-1/4-20 X 1 BHCS SS
76	2	945-5353	RETAINER-LIFT TITE ROLLER
75	2	1000-2395A	ROLLER ASSY-ARM-TORQUE SHAFT
74	2	15886BK	COTTER PIN-1/4 X 2"/AUTO-BK
73	2	956-0325	PIN-PLATFORM-LIFT-TITE
72	2	955-0404N	LEVER-INBOARD BARRIER
71	3	916-5406	BEARING-UHMW FLAT-THIN-BLK
70	4	10064	WASHER - 3/8" FLAT/AUTO-BK
69	4	20926	NUT-3/8-16 UNC HEX LOCK JAMB
68	2	24012	BEARING-FLANGE-3/4" X 1/4"-12FDU04
67	2	10057	NUT-1/4-20 HEX
66	2	83588	WASHER-1/4 EXT STAR TOOTH LOCK ZP
65	2	25336	WASHER - .516ID X .75OD X 0.0250/AUTO-BK
64	2	10001	BOLT-1/4-20 X 1" HEX
63	2	33603	BUMPER-1" X 5/8" LG NAT UHMW/BRIDGEPLATE
62	1	V955-0431RA	WMT-BKT-BRIDGE PLATE/RR
61	1	949-0431FNA	WMT-BKT-BRIDGE PLATE/FR
60	4	25171	BOLT-3/8-16 X 3/4" FLBHSCS-GD8
59	4	11513	RIV-POP-SD64BS-3/16"- .13/.25"/AUTO-BK
58	2	35909	COVER-VL GEAR OPENING
57	2	34686	PIN-ROLLSTOP GAS SPRING
56	2	34248	PIVOT-ROLL STOP LEVER-NVL-2
55	2	34249	WASHER-0.625" ID X 1" OD X 0.188" TH. DERIN
54	1	V955-0147N-34Y	BRIDGE PLT-34/42"-FTG AUTO (V955-0147NA34Y INCL ITEMS 54, 60-72)
53	2	10025	BOLT-3/8-16 X 1" HEX/AUTO-BK
52	2	26281	SCREW-5/16-18 X 1/2" BHSC-BLK/AUTO-BK
51	2	16368	WASHER-5/16" EXTERNAL TOOTH
50	2	26154	BUMPER-STOW/VISTA
49	4	24442	BEARING-FLANGE-1/2" X 1/4"-08FDU04
48	1	949-0333RN	LINK-PLATFORM/VERT CHANNEL
47	1	949-0333FN	LINK-PLATFORM/VERT CHANNEL
46	2	975-2334	PIN-BEARING-GEAR RACK
45	2	12463	BOLT-3/8-16 X 3/4" GR5-HEX/AUTO-BK
44	4	10069BK	WASHER-3/8" LOCK/AUTO-BK
43	2	975-2202	PIN-BEARING-GEAR RACK
42	8	29378	WASHER-THRUST-1.125" O.D./ .625" I.D./0585" T
41	4	975-2359	BEARING-PLATFORM-SLIDE
40	2	975-2329BKN	GEAR RACK-PLATFORM FOLD

Exploded Views and Parts Lists

Platform Assembly

Applicable Lift:

VL995IB2740-2



NOTICE

- 1) USE LOCTITE® THREADLOCKER RED 271™ OR EQUIVALENT ON SCREWS B.C.#24537 4X.
- 2) USE LOCTITE® THREADLOCKER GREEN 290™ OR EQUIVALENT ON ROLL STOP PIVOT PINS B.C.# 24932BK 2X.
- 3) ITEM #2 HAS (1) IDENTIFICATION MARK. MARK IS ON OUTSIDE OF PLATFORM.
- 4) ITEM #3 HAS (2) IDENTIFICATION MARKS. MARKS ARE ON OUTSIDE OF PLATFORM.
- 5) FINAL ASSEMBLY IS NEEDED ONCE ATTACHED TO THE PLATFORM.

ITEM	QTY.	PART NO.	DESCRIPTION
36	1	949-0333FN	LINK-PLATFORM/VERT CHANNEL
35	2	975-2334	PIN-BEARING-GEAR RACK
34	2	12463	BOLT-3/8-16 X 3/4 GR5-HEX/AUTO-BK
33	4	10069BK	WASHER-3/8" LOCK/AUTO-BK
32	2	975-2202	PIN-BEARING-GEAR RACK
31	8	29378	WASHER-THRUST-1.125 OD/.625 ID/.0585T
30	4	975-2359	BEARING-PLATFORM-SLIDE
29	2	975-2329BKN	GEAR RACK-PLATFORM FOLD
28	4	13273	RING-1/2 EXT SELF LOCK SNAP/AUTO-BK
27	2	11563	SCREW-1/4-20 X 1/4 SET CUP PT
26	2	975-2360	PIN-BEARING-PLATFORM SLIDE
25	2	975-2358	BEARING-PLATFORM-SLIDE
24	2	32831	GAS SPRING-6.46 EXT 4.88 COM P1=40#
23	2	10058	NUT-5/16-18 HEX/AUTO-BK
22	2	10013	BOLT-5/16-18 X 1" HEX HD. CAP
21	2	40-1092-0	SCREW-10-32 X 1.25" SHCS
20	2	32759	STANDOFF-FOOT MOUNT
19	4	28031	BEARING-FLANGE-1 X 1/2-16FDU08
18	4	25371	BOLT-1/4-20 X 3/4" BHCS NYLK/BKZN
17	1	34122F	BRACKET-ADJUST-SPLIT FOOT
16	1	34122R	BRACKET-ADJUST-SPLIT FOOT
15	2	18663	SCREW-1/2-20 X 1.5 SET-LOCK/AUTO-BK
14	4	24537	SCREW-#10-32 X 3/8 FL HD-HX SKT/AUTO-BK
13	4	990-0341	ADAPT-CYL/ROLL STOP LEVER-OUT
12	4	13889	RING-1/2 EXT SELF LOCK SNAP/AUTO-BK
11	2	945-2336N	BEARING-PLATFORM SLIDE
10	8	24028	BEARING-PLASTIC-FLANGE-3/8ID X 1/4"
9	2	83588	WASHER-1/4 EXT STAR TOOTH LOCK ZP
8	2	24932BK	PIN-CLEVIS 3/8 X 3" EFF LEN.-W/O HOLE/BK
7	10	29371	WASHER-THRUST-.875 OD/.50 ID/.0585T
6	1	949-0200W-27	WMT-ROLL STOP ACTIVATION FOOT
5	2	28324BK	NUT-5/16-18 TOP LOCK/AUTO-BK
4	2	26327	BOLT-5/16-18 X 1 1/4"-LHSHCS/AUTO-BK
3	1	949-0311FN	STOP-PLATFORM
2	1	949-0311RN	STOP-PLATFORM
1	1	949-02740W	WMT - PLATFORM FIXED INNER

ITEM	QTY.	PART NO.	DESCRIPTION
71	4	24442	BEARING-FLANGE-1/2" X 1/4"-08FDU04
70	4	20926	NUT-3/8-16 UNC HEX LOCK JAMB
69	4	10064	WASHER-3/8" FLAT/AUTO-BK
68	4	25171	BOLT-5/16-18 X 2" FLBHSCS-GD8
67	2	33603	BUMPER-1" X 5/8" LG NATURAL UHMW BRIDGEPLATE
66	2	991-0404	LEVER-IB
65	2	10001	BOLT-1/4-20 X 1" HEX
64	1	V955-0431RW	WMT-BKT-BRIDGE PLATE/REAR
63	1	949-0431FNW	WMT-BKT-BRIDGE PLATE
62	3	916-5406	BEARING-UHMW FLAT-THIN-BLK
61	2	25336	WASHER-.516ID X .75OD X .0250/AUTO-BK
60	2	24012	BEARING-FLANGE-3/4" X 1/4"-12FDU04
59	2	34248	PIVOT-ROLL STOP LEVER-NVL-2
58	2	34249	WASHER-0.625"ID X 1"OD X 0.1 88"TH,DERIN
57	1	V991-0147A27Y	BRIDGE PLATE (V991-0147A27Y INCL. (28, 38, 57, 60, 62-71)
56	1	995-032840FRABKN	GEAR ASSEMBLY/REAR
55	1	995-032840FRABKN	GEAR ASSEMBLY/FRONT
54	1	949-02740OTW	PLATFORM WELDMENT MOVABLE/OUTER
53	4	10775	NUT-1/4-20 HEX LOCK/AUTO-BK
52	4	40-4230-0	SCREW-1/4"-20 HEX LOCK/AUTO-BK
51	1	945-4206FN	LATCH-ROLL STOP/FRONT
50	1	945-4206RN	LATCH-ROLL STOP - REAR
49	1	945-3202FN	BKT-LATCH-ROLL STOP-FRONT
48	1	945-3202RN	BKT-LATCH-ROLL STOP-REAR
47	2	35909	COVER-VL GEAR OPENING
46	4	11513	RIV-POP-SD64BS-3/16"- .13/.25/AUTO-BK
45	2	36003	HAIRPIN COTTER 3/16-1/4 X 5/16 - .042 SS
44	2	34686	PIN-ROLLSTOP GAS SPRING
43	1	949-0312A27Y	ASSY-ROLL STOP w/RUBBER/2
42	2	10025	BOLT-3/8-16 X 1" HEX/AUTO-BK
41	2	26281	SCREW-5/16-18 X 1/2" BHSC-BLK/AUTO-BK
40	2	16368	WASHER 5/16" EXTERNAL TOOTH
39	2	26154	BUMPER-STOW/VISTA
38	2	10057	NUT-1/4-20 HEX
37	1	949-0333RN	LINK-PLATFORM/VERT CHANNEL

EC Declaration of Conformity With Council Directive 2006/42/EC		CE
Date of Issue:	16 February 2011	
Directive:	Machinery Directive on machinery safety, 2006/42/EC	
Conforming Machinery:	Dual Parallel Arm Hydraulic Lift System Century -2, Millennium -2, Vista -2, and Global International Series Lifts	
Manufacturer:	Braun Corporation 631 West 11 th Street Winamac, IN 46996 USA	
Authorized Representative:	Braun Corporation Authorized Representative UVL-Lift AB Åkerivägen 7 S-443 61 Stenkullen SWEDEN Telephone: +46-302 254 00 E-mail: contact@autoadapt.se Internet: www.autoadapt.se	
Harmonized Standards Referenced or Applied:	BS EN 13857:2008, BS EN ISO 13850:2008, EN ISO 14121-1:2007, BS EN 349:1993+A1:2008, BS EN 953:1997+A1:2009, BS EN 1037:1995+A1:2008, BS EN 982:1996+A1:2008, BS EN 614-1:2006+A1:2009, EN 60204-1:2006, BS EN 1756-2:2004+A1:2009	
Specifications with which Conformity is Declared:	Essential Health and Safety Requirements of Annex 1 of the Machinery Directive	
We hereby certify that the machinery described above conforms with the essential health and safety requirements of Council Directive 2006/42/EC on the approximation of the laws of the Member States relating to the safety of machinery.		
Technical File Reference Number	SF10933A1.BC	

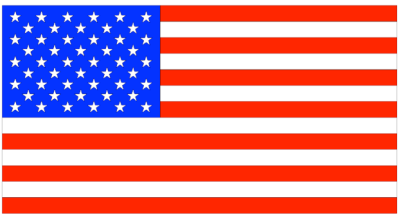

Notes on Declared Standards referenced in the Declaration.

BS EN 13857:2008	Safety of machinery. Safety distances to prevent hazard zones being reached by upper and lower limbs.
BS EN ISO 13850:2008	Safety of machinery - Emergency stop - Principles for design.
EN ISO 14121-1:2007	Safety of machinery - Risk assessment - Part 1: Principles.
BS EN 349:1993+A1:2008	Safety of machinery. Minimum gaps to avoid crushing of parts of the human body.
BS EN 953:1997+A1:2009	Safety of machinery. Guards. General requirements for the design and construction of fixed and moveable parts.
BS EN 1037:1995+A1:2008	Safety of machinery. Prevention of unexpected start-up.
BS EN 982:1996+A1:2008	Safety of machinery. Safety requirements for fluid power systems and their components. Hydraulics.
BS EN 614-1:2006+A1:2009	Safety of machinery - Ergonomic design principles - Part 1: Terminology and general principles.
EN 60204-1:2006	Safety of machinery. Electrical equipment of machines. General requirements.
BS EN 1756-2:2004+A1:2009	Tail Lifts-Platform lifts for mounting on wheeled vehicles-Safety Requirements-Part 2: Tail lifts for passengers.



Declaration of Noise Emission

The Braun Corporation Vista -2 International Series System Sound Pressure Levels per EN ISO 11202 as based on testing on similar models are as follows:

	Operating	Idle
LpAm (Operator Position)	75 dB (A)	68 dB (A)
LpAm (Bystander Position)	73 dB (A)	69 dB (A)
Ambient Correction Factor K3A calculated according to EN ISO 11204 Appendix A.		4 dB (A)
Measurements were made at a height of 1.5 m and 1 m from the Operator Position and Bystander positions.		
The difference between the extraneous noise level and the sound intensity level at each measuring point is:		LpAm Δ = 6 dB (A)
The figures quoted are emission levels and are not necessarily safe working levels. While there is a correlation between the emission and exposure levels this cannot be used reliably to determine whether or not further precautions are required.		
Factors that influence the actual level of exposure of the workforce include characteristics of the work room, the other sources of noise, etc. such as the number of machines and other adjacent processes. Also, the permissible level of exposure can vary from country to country.		
This information, however, will enable the user of the machine to make a better evaluation of the hazard and risk.		
	Braun Corporation 631 W. 11th Street Winamac, IN 46996 USA	

Declaration of Conformity With Directive 2004/108/EC		CE
Date of Issue:	20 December 2010	
Directive:	Radio Interference of Vehicles 2004/108/EC	
Conforming Machinery:	Dual Parallel Arm Hydraulic Lift System Century -2, Millennium -2, Vista -2, and Global International Series Lifts	
Manufacturer:	Braun Corporation 631 West 11 th Street Winamac, IN 46996 USA	
Authorized Representative:	Braun Corporation Authorized Representative UVL-Lift AB Åkerivägen 7 S-443 61 Stenkullen SWEDEN Telephone: +46-302 254 00 E-mail: contact@autoadapt.se Internet: www.autoadapt.se	
Harmonized Standards Referenced or Applied:	EN50498:2010	
We hereby certify that the machinery described above conforms with Directive 2004/108/EC		
Technical File Reference Number	SF10933A1.BC	

NOTES

This page intentionally left blank.

"Providing Access to the World"®



**Over 300 Braun
Dealers Worldwide**



www.braunability.com/international ISO 9001:2008

631 West 11th Street, Winamac, IN 46996, USA

Phone: +1 574 946 6153

Fax: +1 574 946 4670

Service Manual
International
Vista 2
Stacking Platform

Public Use
Wheelchair Lifts

Series AA

Braun Limited Warranty

Consult your local Braun dealer regarding warranty policy.

www.braunlift.com/international

Patent #5,261,779

Patent #6,599,079

Patent #7,422,408

Patent #6,065,924

Patent #6,692,217

Patent #7,444,995

Patent #6,238,169

Patent #6,739,824

Patent #7,530,226

Patent #6,464,447

Patent #7,306,422

Patent #CA 2,335,081

36544

July

2011



www.braunability.com/international ISO 9001:2008

631 West 11th Street, Winamac, IN 46996, USA

Phone: +1 574 946 6153

Fax: +1 574 946 4670

All illustrations, descriptions and specifications in this manual are based on the latest product information available at the time of publication. The Braun Corporation reserves the right to make changes at any time without notice.

Original Instructions

© The Braun Corporation

